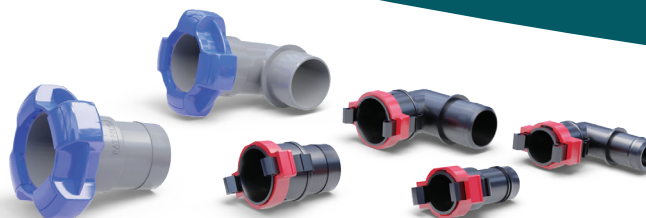


## MARINE APPLICATIONS:

Livewells            Bilge Plumbing  
 Baitwells            Grey Water  
 Ballast Bags        Deck Drainage



## SPECIFICATIONS

	3/4" Fittings (1.91cm)	1 1/8" Fittings (2.86cm)	1.5" Fittings (3.81cm)
Maximum Pressure	30 psi	30 psi	50 psi
Tensile (Pull) Strength	50 lbs	50 lbs	75 lbs
Max Temperature	140° F	140° F	140° F
Min Temperature	-22° F	-22° F	-22° F

## CHEMICAL RESISTANCE

	3/4" Fittings (1.91cm)	1 1/8" Fittings (2.86cm)	1.5" Fittings (3.81cm)
Fresh Water	Yes	Yes	Yes
Salt Water	Yes	Yes	Yes
Motor Oil/Water Mixture	Yes	Yes	Yes
Diesel Fuel/Water Mixture	Yes	Yes	Yes
Hydraulic Oil/Water Mixture	Yes	Yes	Yes
Sodium Hypochlorite (Bleach)	Yes	Yes	Yes

## FEATURES AND BENEFITS

### Eliminates Clogs & Backups

Designed with non-clogging passageways and restriction-less connections to ensure optimal performance.

### Increased Durability & Lifespan

Made with hydrophobic materials which are non-water-absorbent by design to lengthen the life of every part and keep replacement costs at a minimum.

### Faster Install, Reduced Labor

All hoses are pre-cut to spec, clearly labeled, and the clamps come pre-installed to ensure quicker build times and lower labor costs.

### One Kit, One Boat

We've simplified the supply chain by reducing the SKU's you'll need for each boat built.  
 Guaranteed to Seal

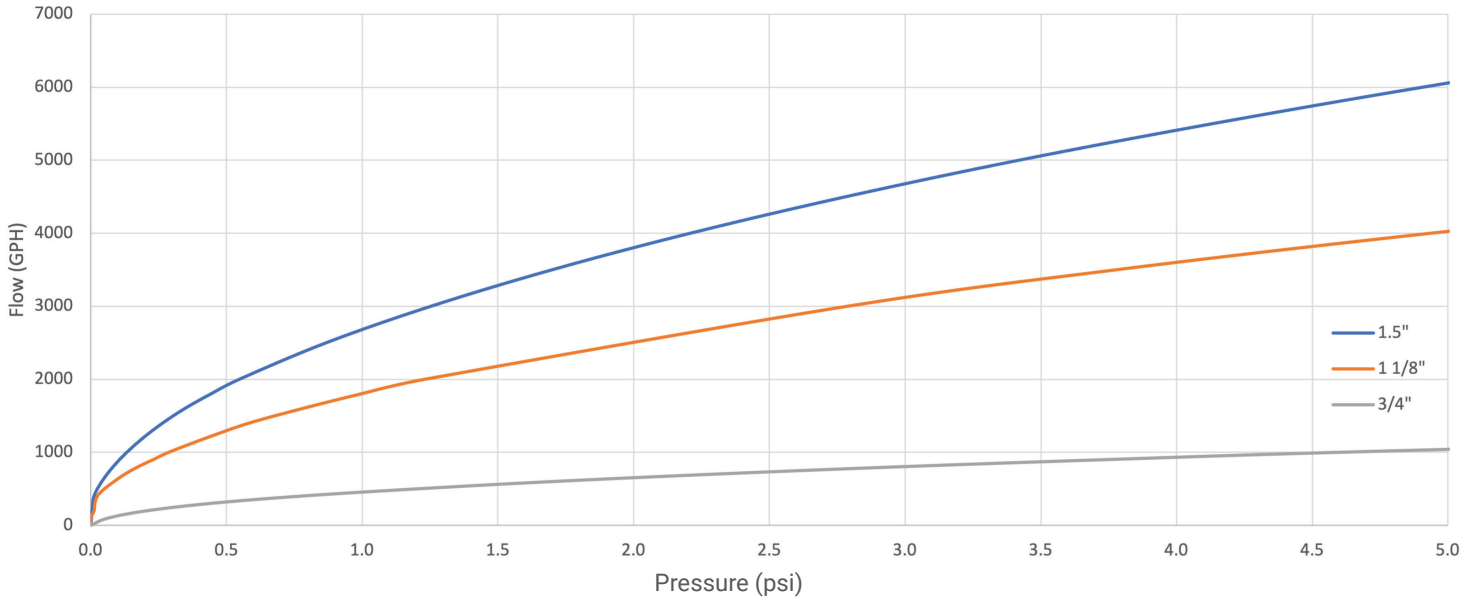
### Guaranteed to Seal

Engineered to ensure a tight seal the first time, every time.

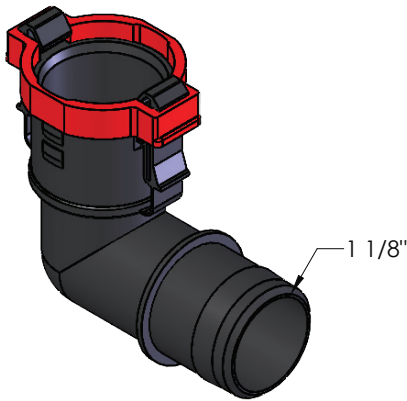
### No-Leak Swivel Joint

Provides ability to rotate hose without creating leaks – ideal for any orientation.

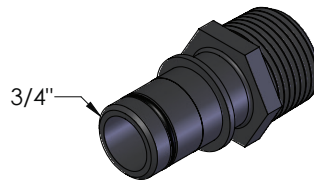
# QWIK LOK FITTING FLOW VS. PRESSURE



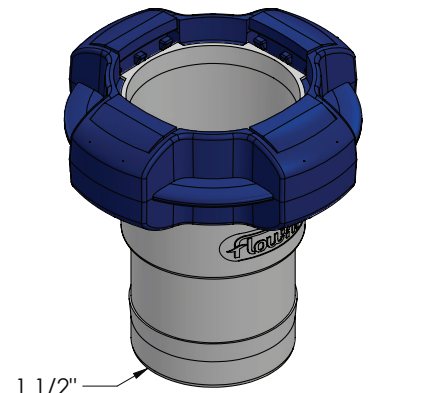
## PRODUCT DIAGRAMS - shown at 1:1 scale



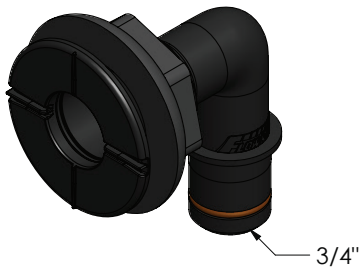
1 1/8" Female Elbow (MA-049 shown)



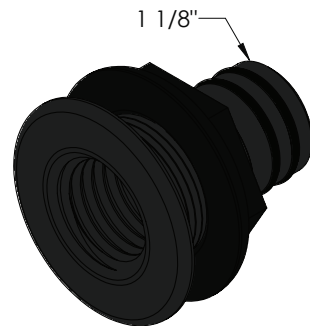
3/4" x 3/4" NPT Adapter (MA-029 shown)



1 1/2" Female Straight (MA-150 shown)



3/4" Drain Fitting Elbow (MA-187-QLB shown)



Drain Fitting (MA-043-QLB shown)

Disclaimer: 2022 Flow-Rite Controls. All rights reserved. Flow-Rite is not liable for damages that may result from any information provided in or omitted from this document, under any circumstances. Flow-Rite Controls reserves the right to make modifications to this document at any time, without notice or obligation.