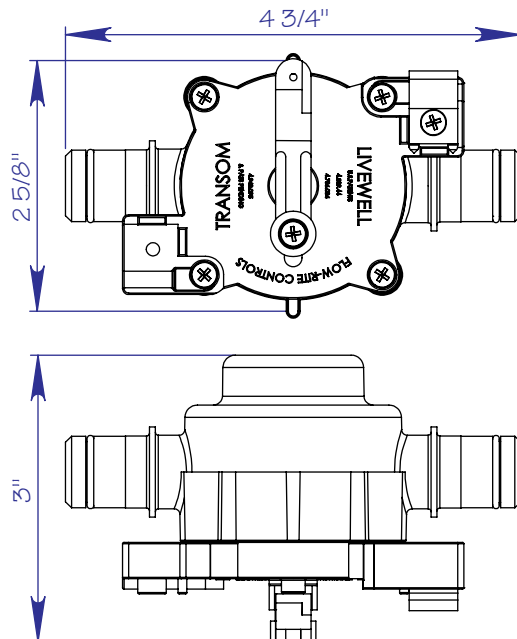




The V2 is our reversible check valve that allows a single pump to not only perform the basic livewell functions necessary to keep your catch alive, but does it in a passive or automatic manner. By mounting the pump to the valve body, the operator only has to decide whether he wants his livewell functioning or empty. When the first fish is caught, place the valve in the "AUTO" position and turn on the pump. When the boat is off plane the pump will recirculate and aerate the livewell water and simultaneously blend in a portion of fresh lake water. Used livewell water is expelled out the overflow as fresh water enters to prevent any ammonia build up.

When the boat is put on plane, the valve's check flapper will prevent water loss out the drain, and allow the pump to continue its recirculation duties. Any water lost out the overflow while running on plane is automatically made up when the boat is brought off plane at the next fishing location. All this is accomplished without any operator assistance.

To empty, simply turn off the pump and move the valve to the "EMPTY" position for gravity draining.



### Operating Positions



#### AUTO

Check flapper in front of transom port allows fresh water to enter when off plane, but not exit. Will automatically close when boat is on plane or pump is turned off. Livewell port remains open for recirculation of livewell water.



#### EMPTY

Check flapper in front of livewell port allows water to exit through transom drain.

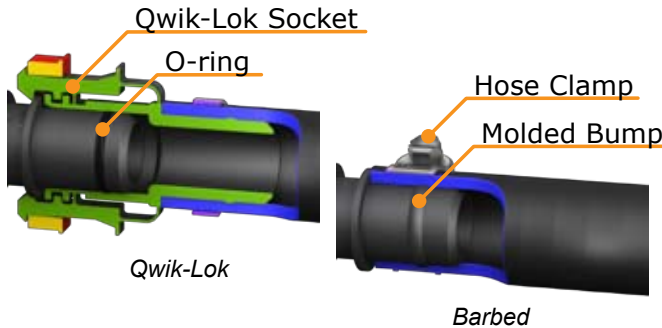


RK2-BG

The V2 valve operates with the RK2 actuator which is available in black and gold.

## 2 Position Automatic Valve

### Qwik-Lok and Barbed versions



The Qwik-Lok version features O-ring seals for use with Qwik-Lok quick connect sockets (MA-014). Qwik-Lok enables the valve or complete valve pump assembly to be removed for service with two fingers. No tools are required.

### Attaching the Cable to the Valve



Insert the cable "Z" bend from the valve cap side and position the clamp directly behind the enlarged section of cable jacket as shown.

### P.E.F. (Pressure Equalization Flapper)



Only specify PEF for higher profile walleye and bay boats where the livewell overflow is 8"-12" above lake level. If it's more than 12" use the V4 valve. PEF is not generally required for low profile bass boats.

While off plane, in the AUTO position, water enters the valve from both the livewell drain and the transom thru-hull. As the water level in the livewell increases so does the pressure on the transom check feature of the valve, reducing the ratio of fresh to recirculated water. When this pressure is too great, PEF insures that enough fresh water is added to force the upper used water out.

### Mounting a Pump to the Valve



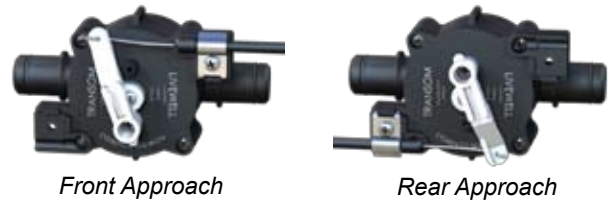
The valve body is threaded for mounting the inlet of a centrifugal pump. Use a hacksaw to remove all but about 1-1/4" to 1-1/2" of threads on the pump inlet, apply Teflon tape and mount directly to valve. A 700 to 800 GPH pump is recommended for best performance.

### Installing the Cable Actuator



Insert cable wire through hole in brass arm as shown. Then, position cable assembly into brass bracket U-slot and secure finger tight with knurled nut. Carefully push assembly into 1-3/4" mounting hole and secure with two P/N MD-093 screws. (#6-32, truss head, black oxide, stainless steel.)

### Cable Approach



The V2 valve has two cable approach options. The cable can approach the valve from either the front/livewell or the rear/transom side of the boat.

### Part Numbers

	Cable Direction	PEF	Qwik-Lok	Barbed
V2FQL	Front		✓	
V2RQL	Rear		✓	
V2FPQL	Front	✓	✓	
V2RPQL	Rear	✓	✓	
V2F	Front			✓
V2R	Rear			✓
V2FP	Front	✓		✓
V2RP	Rear	✓		✓