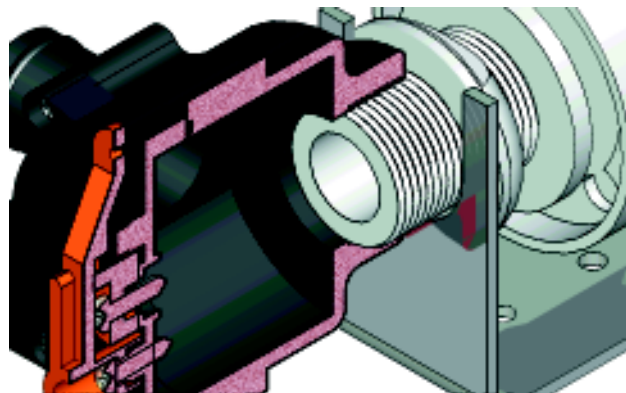
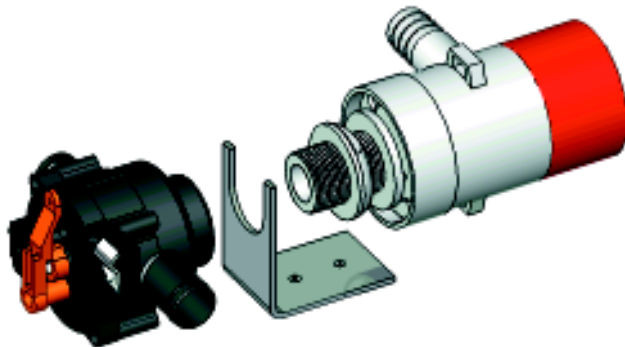
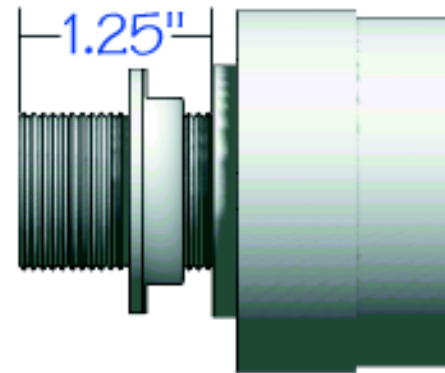
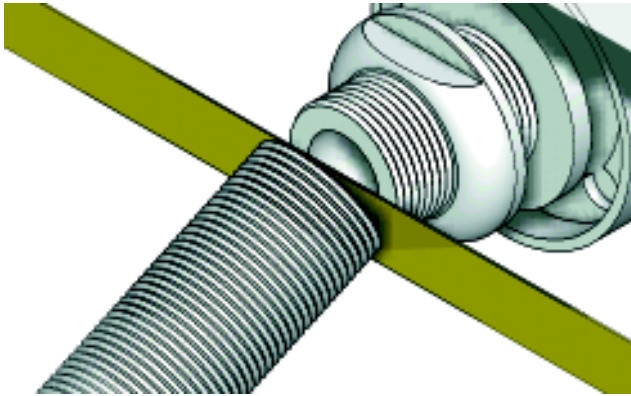


PUMP/VALVE ATTACHMENT



Flow-Rite Controls, Ltd. ~ 960 74th St., Byron Center, MI 49315
Phone: (616) 583-1700 ~ Fax: (616) 878-5151 Website: www.flow-rite.com