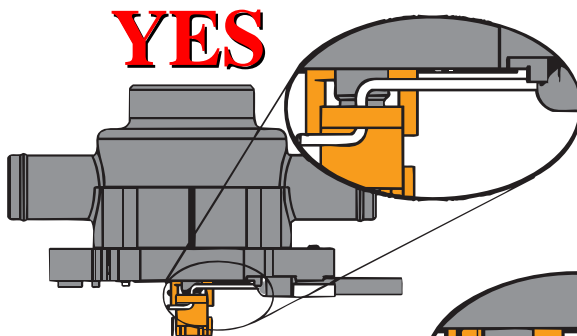
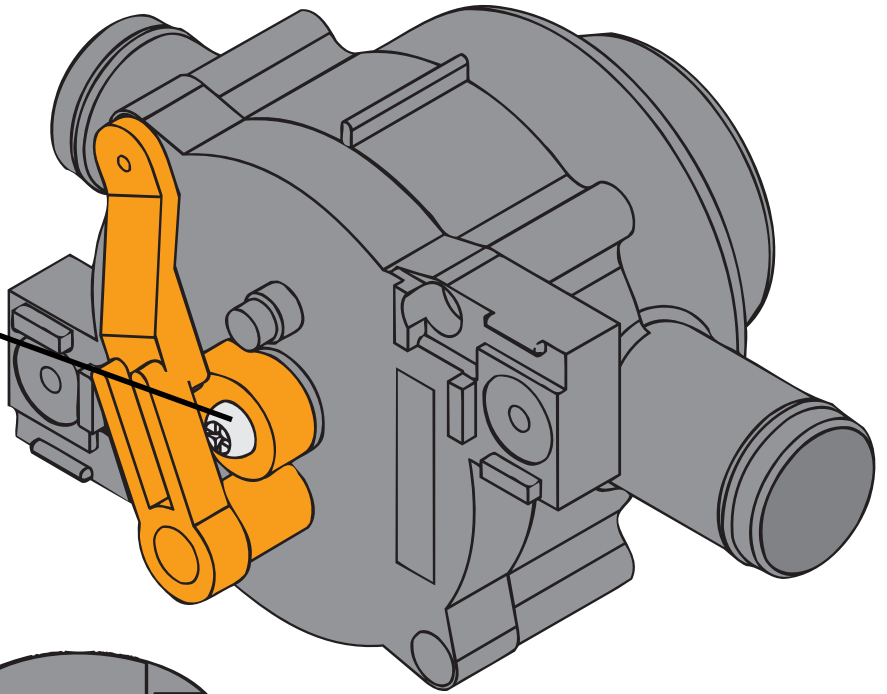


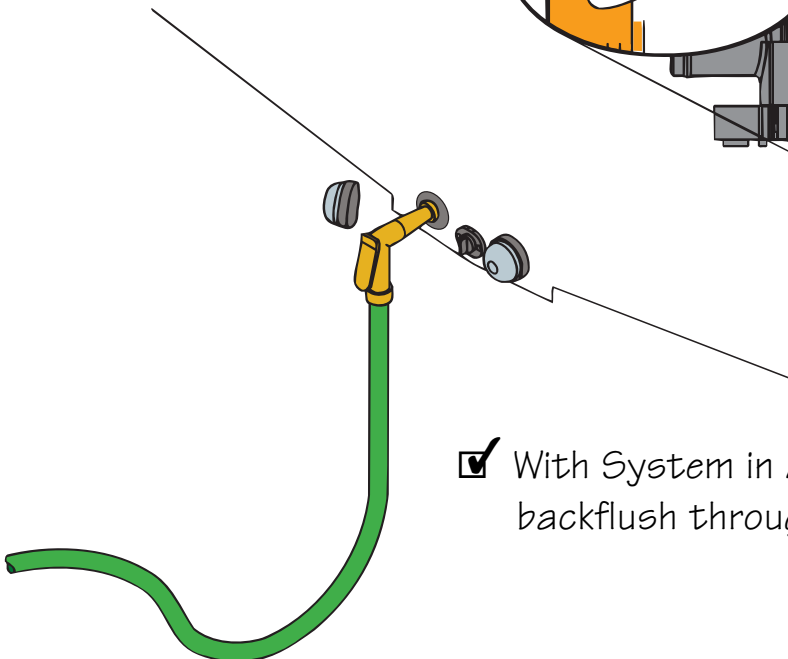
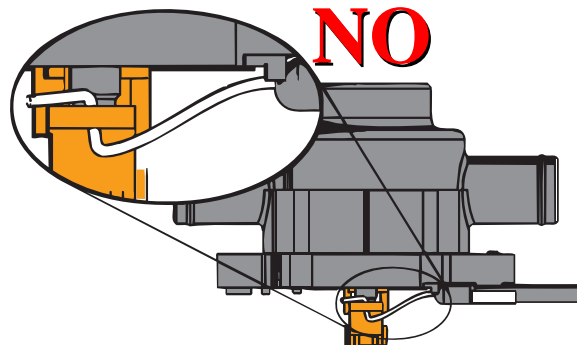
TROUBLESHOOTING

- ☑ Insure the link screw is snug, but do not over tighten.

Link Screw



- ☑ Check valve for proper cable attachment.



- ☑ With System in AUTO position, backflush through transom

