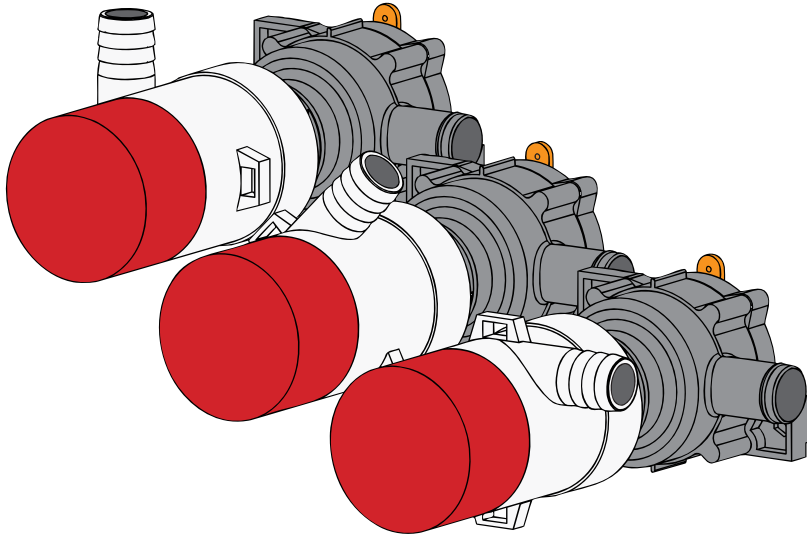
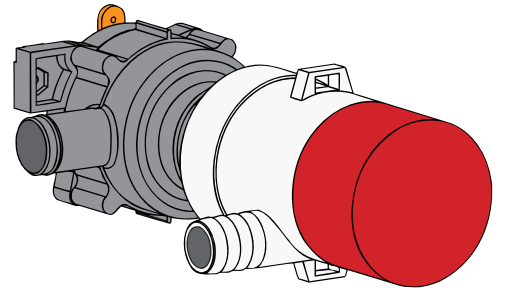


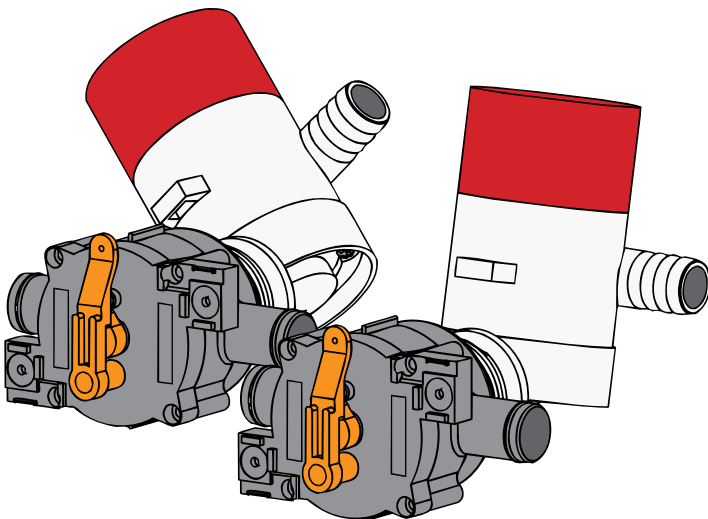
PUMP ORIENTATION TO PREVENT AIR-LOCKS



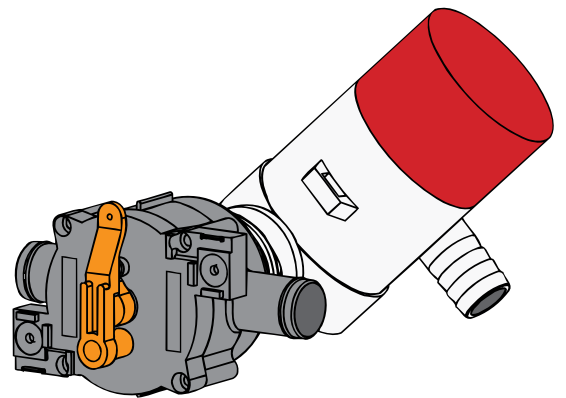
GOOD



BAD



GOOD



BAD



Flow-Rite Controls, Ltd. ~ 960 74th St. ~ Byron Center, MI 49315
Phone: 616-583-1700 ~ Fax: 616-878-5151 ~ www.flow-rite.com