

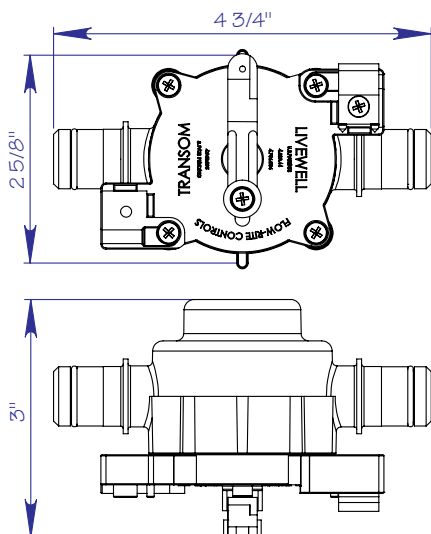
# V5

## 2 Position Pump Out Valve



The V5 valve, when placed into the recirculation hose from the pump to the aerator head, will allow the operator to select either “RECIRC” —which allows water to continue on it’s path to the aerator head for recirculation, or “PUMP-OUT” —which diverts the water taken from the livewell for recirculation and discharges it through the pump-out thru-hull fitting. Primarily used to fill tournament bags with freshly aerated water or for emptying the livewell when the boat is docked without having to trailer the boat or run on-plane with the drain open.

The V5 valve can be used with any recirculation pump or with any Flow-Rite system with a designated “RECIRC” mode as with valves V3 and V4. The Qwik-Lok version provides the maximum installation flexibility and ease with “360° Plus” inlet connection. A Qwik-Lok hose section can enter from any direction and swivel with the appropriate Qwik-Lok socket; 360° with the 90° socket or straight in with the straight socket. You only need to specify front or rear cable approach. The barb versions will require front or rear cable approach, plus choosing between a straight or elbow inlet fitting. If choosing an elbow, you will need to choose the direction of the elbow.



### Operating Positions



#### RECIRC

Water from the recirculation pump enters the valve body and is diverted to the livewell aerator while the transom port is sealed.



#### PUMP OUT

Water from the recirculation pump enters the valve body and is diverted to the valve transom port and through the pump-out discharge fitting while the valve livewell port is sealed.

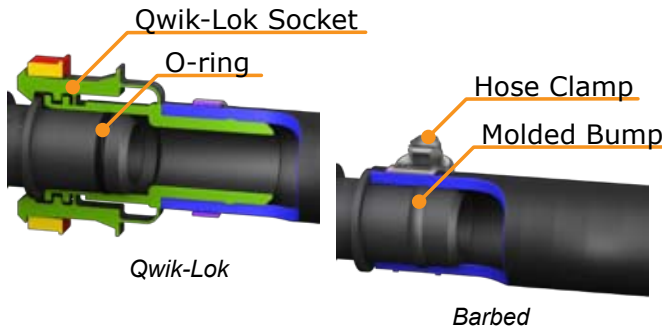
RK5-BG

RK5-BW



## 2 Position Pump Out Valve

### Qwik-Lok and Barbed versions



The Qwik-Lok version features O-ring seals for use with Qwik-Lok quick connect sockets (MA-014). Qwik-Lok enables the valve or complete valve pump assembly to be removed for service with two fingers, no tools.

### Attaching the Cable to the Valve



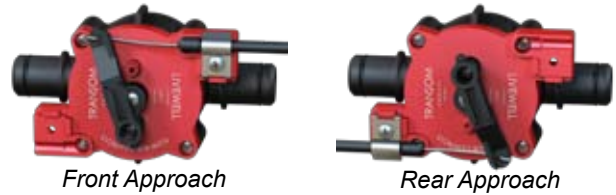
Insert the cable “Z” bend from the valve cap side and position the clamp directly behind the enlarged section of cable jacket as shown.

### Installing the Cable Actuator



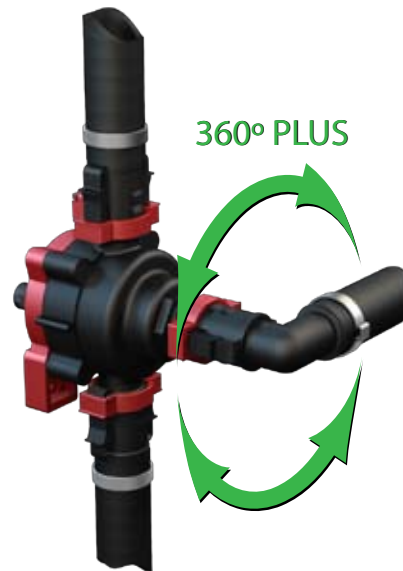
Insert cable wire through hole in brass arm as shown. Then, position cable assembly into brass bracket U-slot and secure finger tight with knurled nut. Carefully push assembly into 1-3/4” mounting hole and secure with two P/N MD-093 screws. (#6-32, truss head, black oxide, stainless steel.)

### Cable Approach



The V5 valve has two cable approach options. The cable can approach the valve from either the front/livewell or the rear/transom side of the boat.

### 360° Plus Feature



The V5 valve with Qwik-Lok includes a straight Qwik-Lok male adapter at the valve body inlet that allows a Qwik-Lok hose section from the pump to be connected from any direction and have freedom to swivel and relax.

### Part Numbers

		Cable Dir.	Straight Con.	Elbow Con.	Elbow Dir.	Qwik-Lok	Barbed
V5FSQL	Front	✓				✓	
V5RSQL	Rear	✓				✓	
V5FS	Front	✓					
V5RS	Rear	✓					
V5FEL	Front		✓	LW			✓
V5REL	Rear		✓	LW			✓
V5FET	Front		✓	TR			✓
V5RET	Rear		✓	TR			✓

\* LW = Livewell TR = Transom