



The PowerStream Nozzle features a venturi air intake in the top of the nozzle that draws additional oxygen into the water as it enters the livewell. Unlike typical overhead spray heads, oxygen rich water immediately penetrates the deepest livewells with ease and can be rotated left or right for a circular current of the livewell water. A special elbow thru-hull fitting is included.

Locking Nut

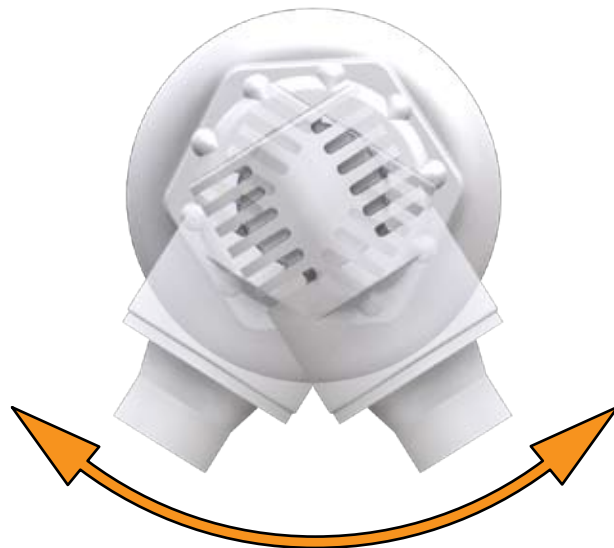
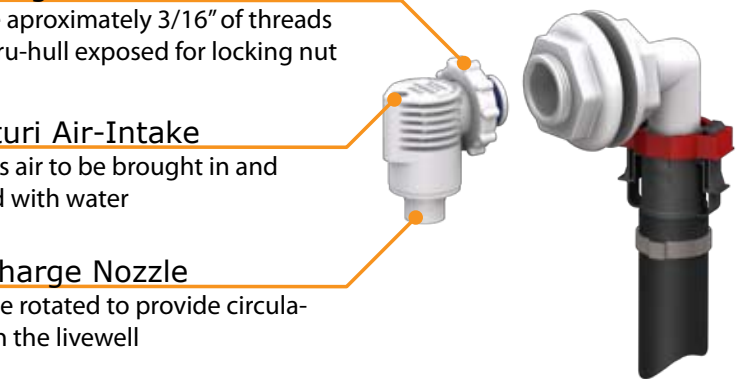
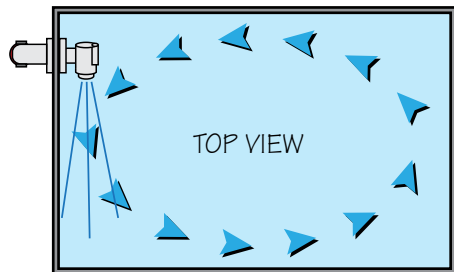
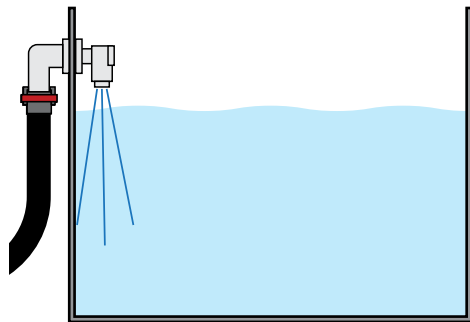
Leave approximately 3/16" of threads on thru-hull exposed for locking nut

Venturi Air-Intake

Allows air to be brought in and mixed with water

Discharge Nozzle

Can be rotated to provide circulation in the livewell

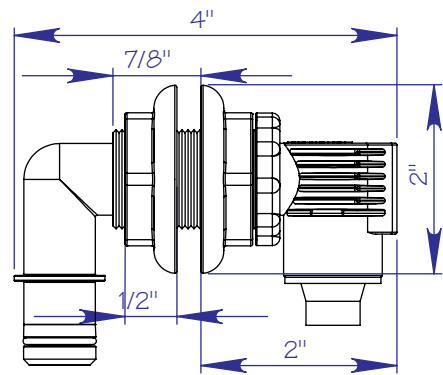
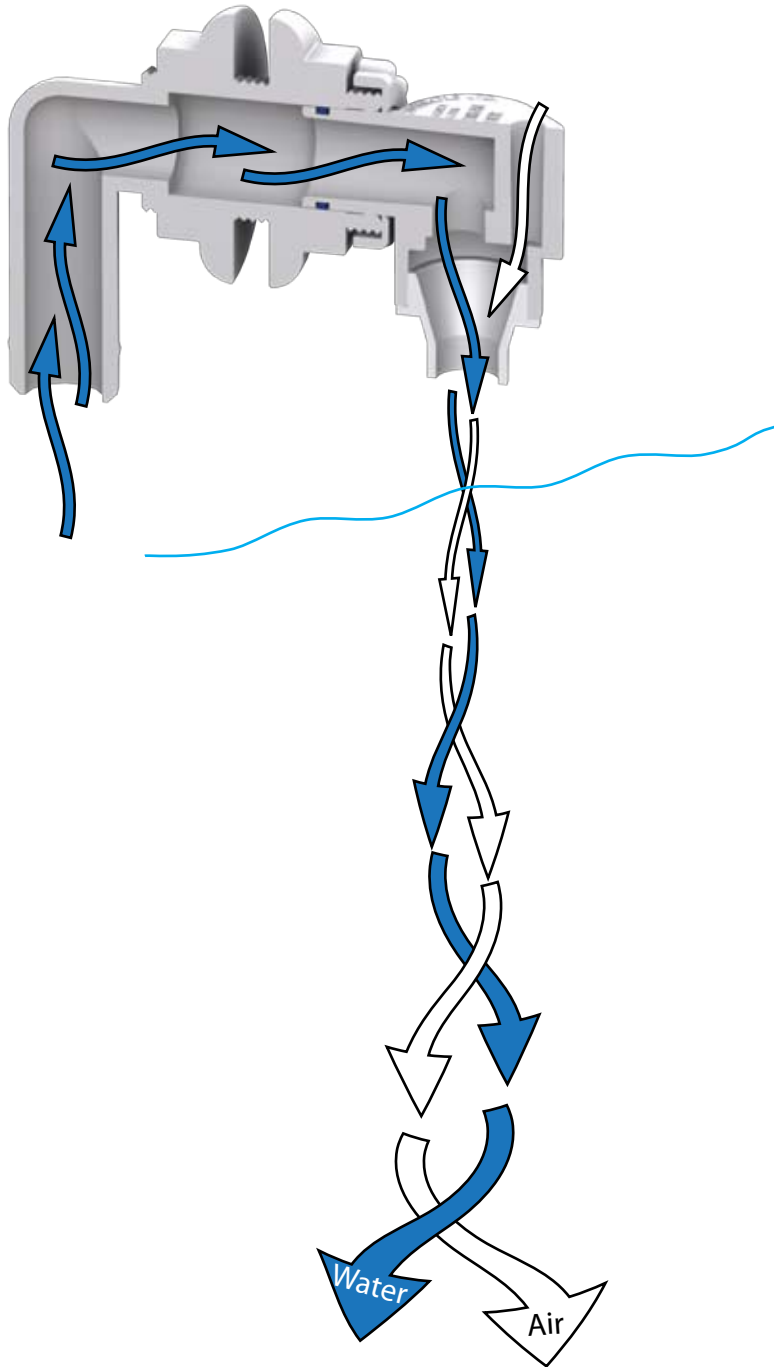


Nozzle may be rotated left or right to promote livewell water circulation

PowerStream Aerator

PSN

AERATORS



	Qwik-Lok Part #	Barbed Part #
PowerStream Aerator w/Thru-hull	PSN-200	PSN-100