



A pump-out feature provides a convenient means of filling a tournament livewell weigh-in bag and also enables a livewell to be pumped out while the boat is still in the water or when moored at a dock overnight.

The Flow-Rite Pump-Out Aerator is the easiest, most efficient, and least expensive means of adding a pump-out system to any livewell system. It eliminates the need for additional diverting valves, cables, actuators, electrical connections and most of the plumbing required by other systems. Simply install the Pump-Out Aerator in place of the standard spray head used with any recirculation pump or with any of our V3 or V4 control valves that include a "RECIRC" mode. It has two hose connections, one intake from the pump and one outlet for the discharge hose that will connect to the new discharge thru-hull fitting.

The two position head is pushed in to bring water into the livewell where it is recirculated and aerated by the air intake and venturi built into the head. Pull the head to the out or "pump-out" position to divert the water from the livewell to the discharge thru-hull. The head can also be rotated left or right to promote a desirable circular current within the livewell. The venturi will ensure that the maximum amount of oxygen allowed by ambient conditions will be provided to all levels and areas of the livewell.



### Locking Nut

Leave approximately 3/16" of threads on thru-hull exposed for locking nut

### Venturi Air-Intake

Allows air to be brought in and mixed with water

### Discharge Nozzle

Can be rotated to provide circulation in the livewell

### Aerator Head

Simply pull to pump-out and push to aerate

### Pump-out Port

Connects to pump-out thru-hull

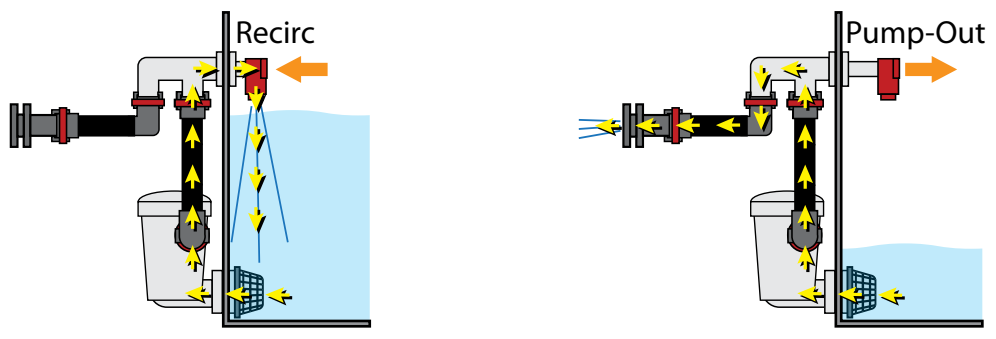
### Intake Port

Connects to recirc pump

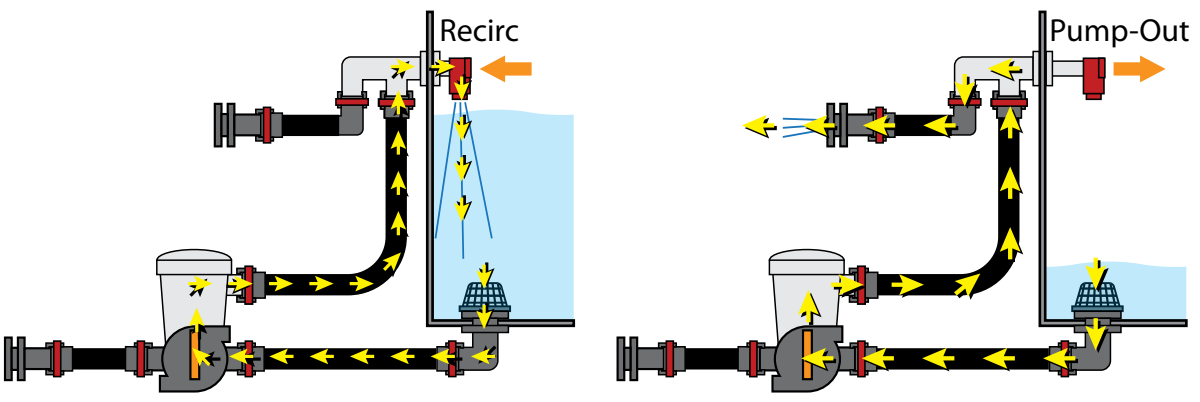
# Pump-Out Aerator

# POA

Pump-Out Aerator with livewell mounted recirculation pump



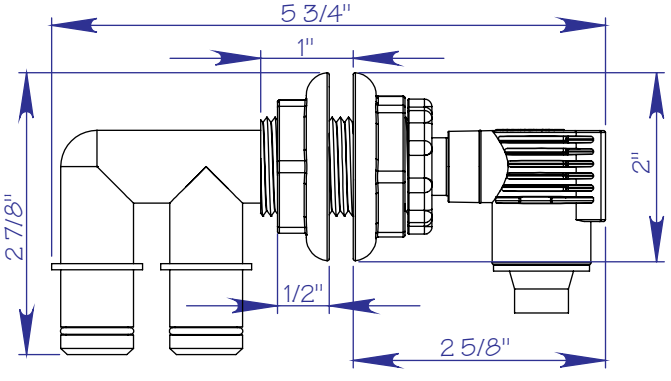
Pump-Out Aerator with a V3 or V4 valve system in RECIRC mode



Note: Place control valve in the "RECIRC" position when using pump-out



A special thru-hull fitting is available for use with the Pump-out Aerator. MA-020-B (barbed) and MA-020-QLB (Qwik-Lok)



	Qwik-Lok Part #	Barbed Part #
Pump-Out Aerator	MA-024-QLR	MA-024-R
Pump-Out Aerator Retail Pack w/Thru-hull, decal, & instructions	N/A	MP-1000
Discharge Straight Thru-hull, black w/Decal	MA-020-QLB	MA-020-B
Discharge Elbow Thru-hull, black (no decal)	MA-027-QLB	MA-027-B

