

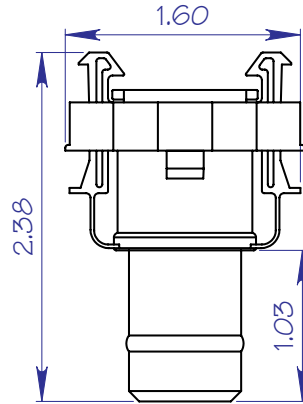
3/4"

3/4" Fittings - Qwik-Lok

Qwik-Lok Fittings

Qwik-Lok Sockets

MA-014 Qwik-Lok Socket, Straight



Latching Arm

Holds socket securely in place.

Locking Ring

Locks Latching Arms and used for 2-finger socket removal.

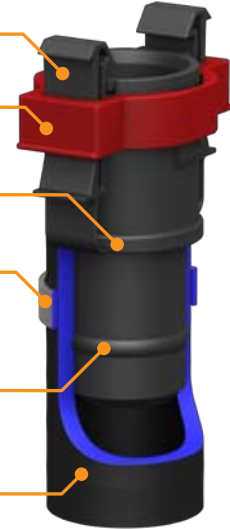
Hose Stop

Clamp

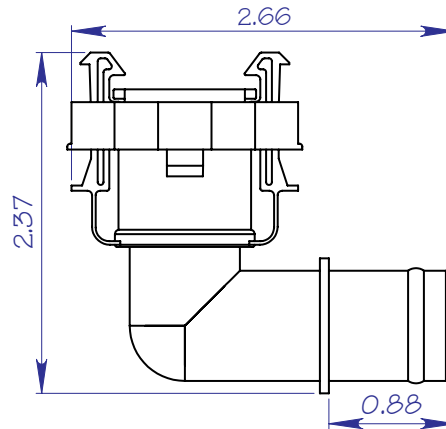
Located directly in front of raised rib.

Raised Rib

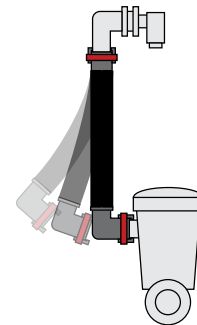
3/4" Hose



MA-025 Qwik-Lok Socket, Elbow

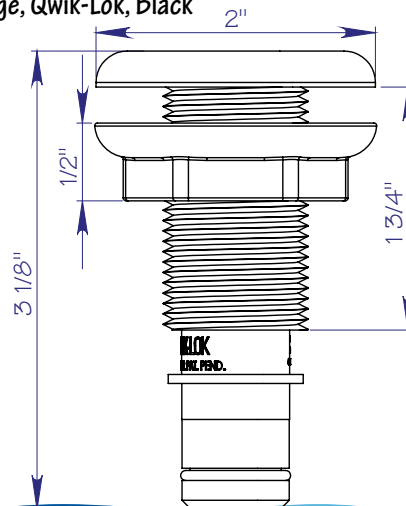


- *Ideal for situations where a short hose is required, using one straight socket and one elbow socket.*



Thru-Hull Fittings

MA-011-QLB Thru-Hull, Straight with Flange, Qwik-Lok, Black

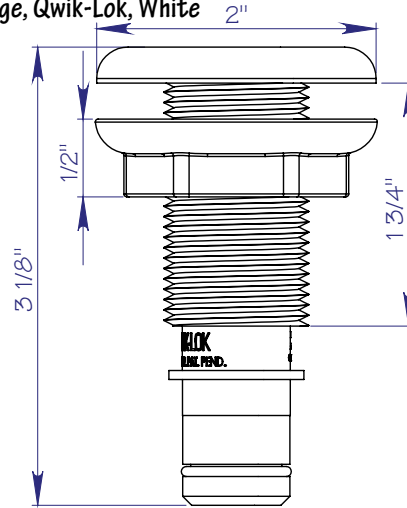


- *Compatible with MA-008 Snap-in Strainer*
- *Requires 1-1/16" mounting hole.*



3/4" Fittings - Qwik-Lok

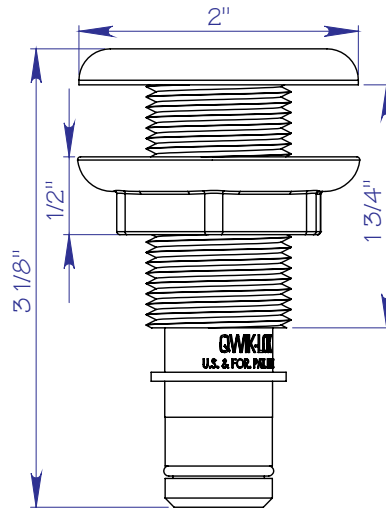
MA-011-QLW Thru-Hull, Straight with Flange, Qwik-Lok, White



- Requires 1-1/16" mounting hole.
- Compatible with MA-008 Snap-in Strainer



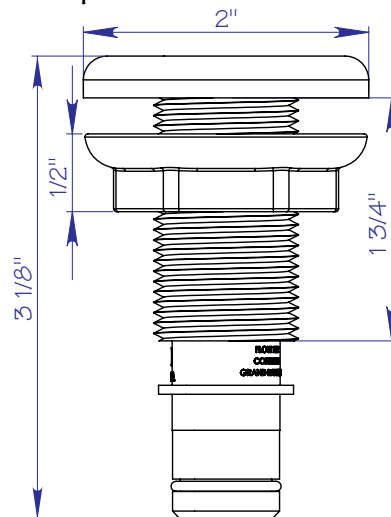
MA-020-QLB Thru-Hull, Straight with Flange and Livewell Pump-out Decal, Qwik-Lok, Black



- Requires 1-1/16" mounting hole.
- Used as discharge fitting with any pump-out system

A pump-out system is a popular and much desired feature that is not always evident to the prospective end user when shopping a showroom or boat show. The decal on the face of this fitting helps call attention to this important feature.

MA-016-QL Thru-Hull, Straight with Flange and Replaceable Chrome Bezel, Qwik-Lok



- Requires 1-1/16" mounting hole.
- Chrome plated ABS bezels securely snap in place

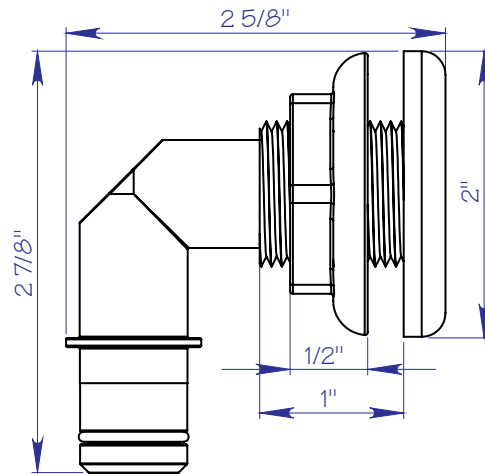


MA-065 Replacement Bezels.

3/4"

3/4" Fittings - Qwik-Lok

MA-028-QL Thru-Hull, Elbow with Flange and Replaceable Chrome Bezel, Qwik-Lok

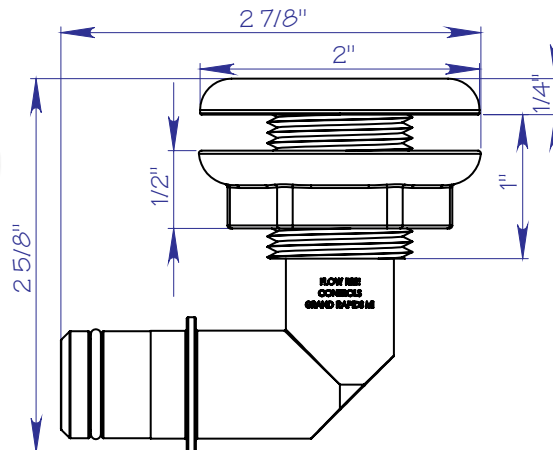


- Requires 1-1/16" mounting hole.
- Chrome plated ABS bezels securely snap in place



MA-065 Replacement Bezels.

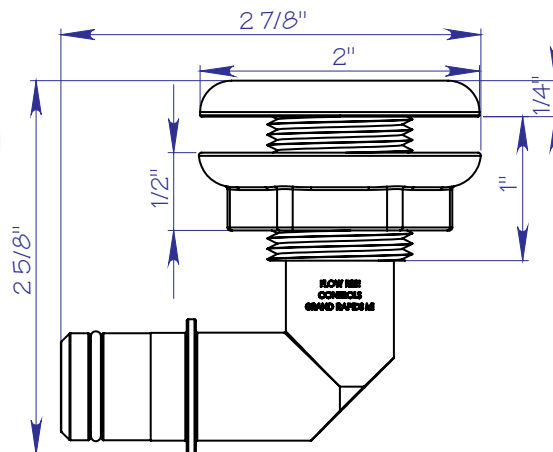
MA-027-QLB Thru-Hull, Elbow with Flange, Qwik-Lok, Black



- Requires 1-1/16" mounting hole.
- Compatible with MA-008 Snap-in Strainer



MA-027-QLW Thru-Hull, Elbow with Flange, Qwik-Lok, White

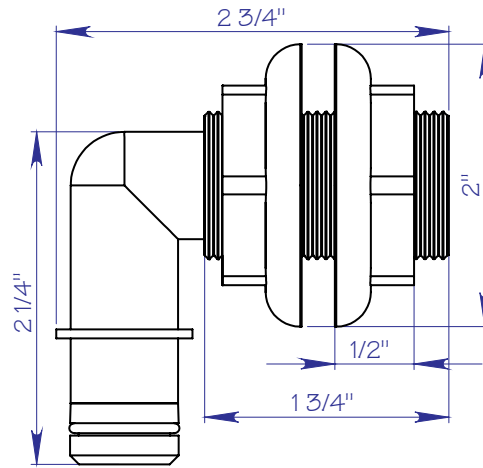


- Requires 1-1/16" mounting hole.
- Compatible with MA-008 Snap-in Strainer



3/4" Fittings - Qwik-Lok

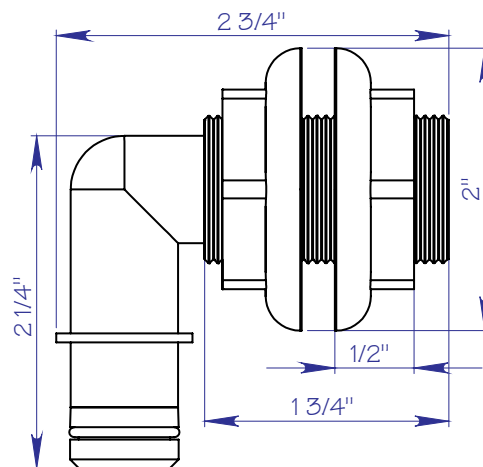
MA-007-QLB Thru-Hull, Elbow with Double Nut, Qwik-Lok, Black



- Requires 1-1/16" mounting hole.
- Compatible with MA-005 and MA-023 Strainers.



MA-007-QLW Thru-Hull, Elbow with Double Nut, Qwik-Lok, White

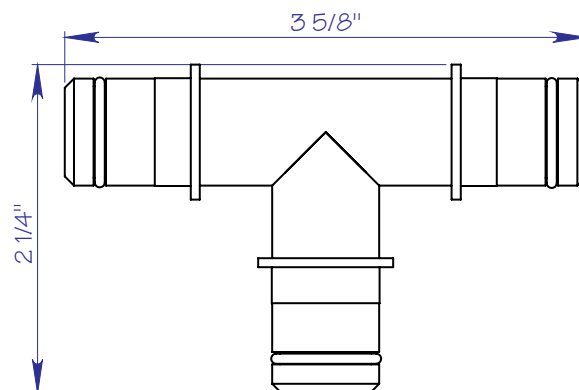


- Requires 1-1/16" mounting hole.
- Compatible with MA-005 and MA-023 Strainers.

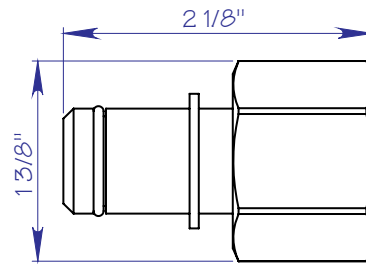
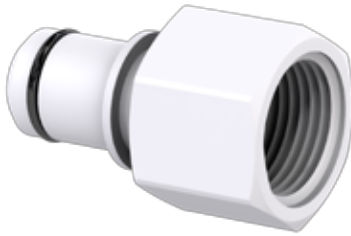


Connectors and Adaptors

MA-026-QLB Qwik-Lok Tee, Black

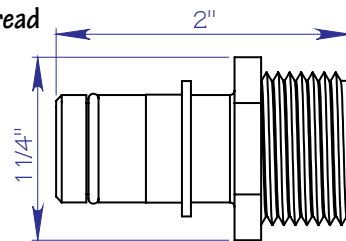


MA-021 3/4" QL Male X 3/4" N5PF



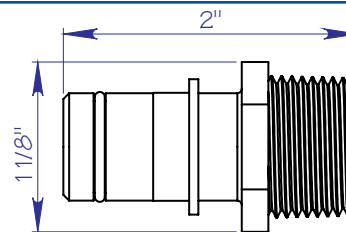
- Fits Attwood pump intake and outlet threads. Fits most pump inlets for remote mounting of pump. Will also fit Johnson Pump outlet when an extra gasket is used.

MA-031 3/4" QL Male X Male Garden Hose Thread



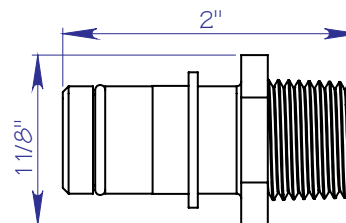
- Primarily used on some ballast bags requiring garden hose threads.

MA-029 3/4" QL Male X 3/4" Male NPT



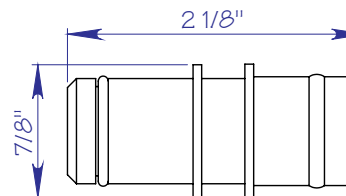
- Primarily used in body of Flow-Rite control valves when pump is mounted remotely and for use on V5 Pump-out valves.

MA-035 3/4" QL Male X 1/2" Male NPT



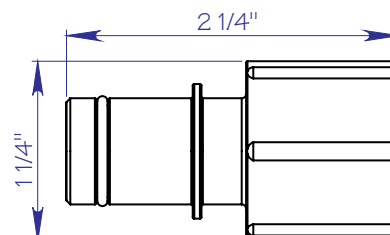
- Primarily used on second inlet of Rule Tournament Series and other pumps for the feed to a separate washdown pump.

MA-032 3/4" QL Male X 3/4" Barbed Male



- Used to provide a quick disconnect from an existing hose or a transition from barbed to Qwik-Lok.

MA-037 3/4" QL Male X Female Thread for Rule® Pumps.



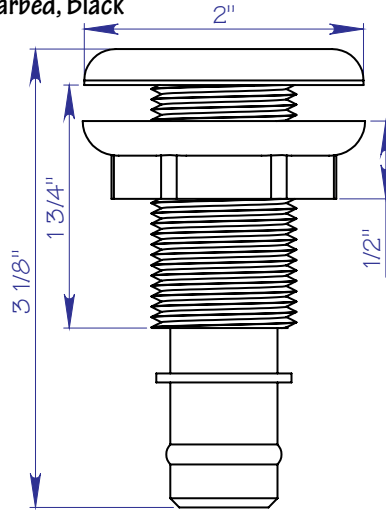
- Used exclusively for the outlet of Rule Tournament Series pumps to adapt to Qwik-Lok.

3/4" Fittings - Barbed

Barbed Fittings

Thru-Hull Fittings

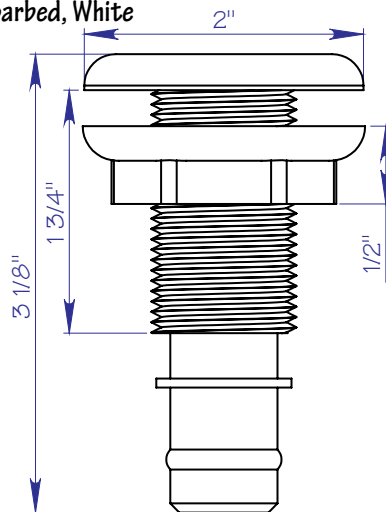
MA-011-B Thru-Hull, Straight with Flange, Barbed, Black



- Requires 1-1/16" mounting hole.
- Compatible with MA-008 Snap-in Strainer



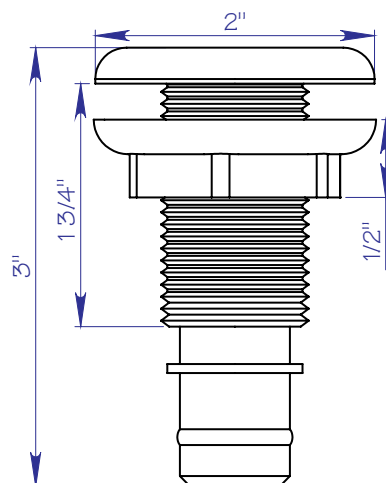
MA-011-W Thru-Hull, Straight with Flange, Barbed, White



- Requires 1-1/16" mounting hole.
- Compatible with MA-008 Snap-in Strainer



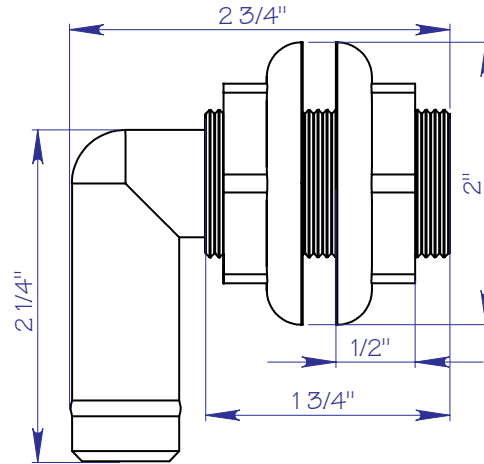
MA-020-B Thru-Hull, Straight with Flange and Livewell Pump-out Decal, Barbed, Black



- Requires 1-1/16" mounting hole.
- Used as discharge fitting with any pump-out system

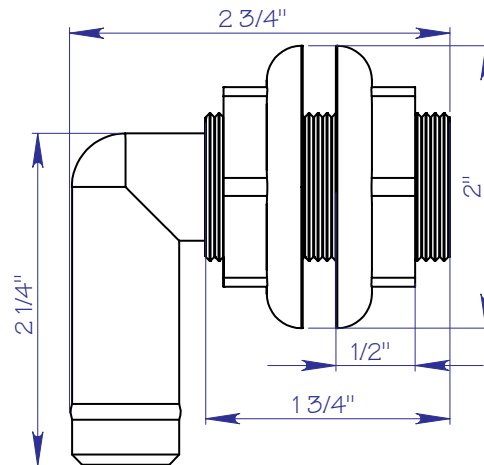
A pump-out system is a popular and much desired feature that is not always evident to the prospective end user when shopping a showroom or boat show. The decal on the face of this fitting helps call attention to this important feature.

MA-007-B Thru-Hull, Elbow with Double Nut, Barbed, Black



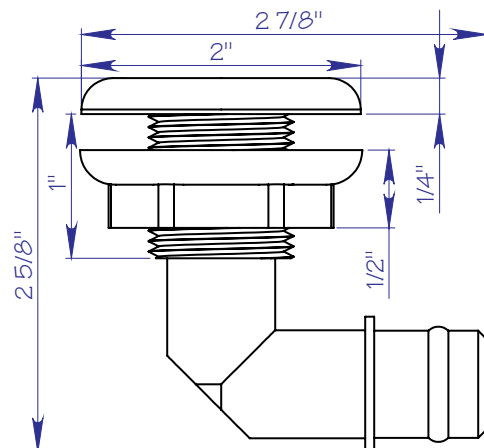
- Requires 1-1/16" mounting hole.
- Compatible with MA-005 and MA-023 Screw-on Strainers

MA-007-W Thru-Hull, Elbow with Double Nut, Barbed, White



- Requires 1-1/16" mounting hole.
- Compatible with MA-005 and MA-023 Screw-on Strainers

MA-027-B Thru-Hull, Elbow with Flange, Barbed, Black

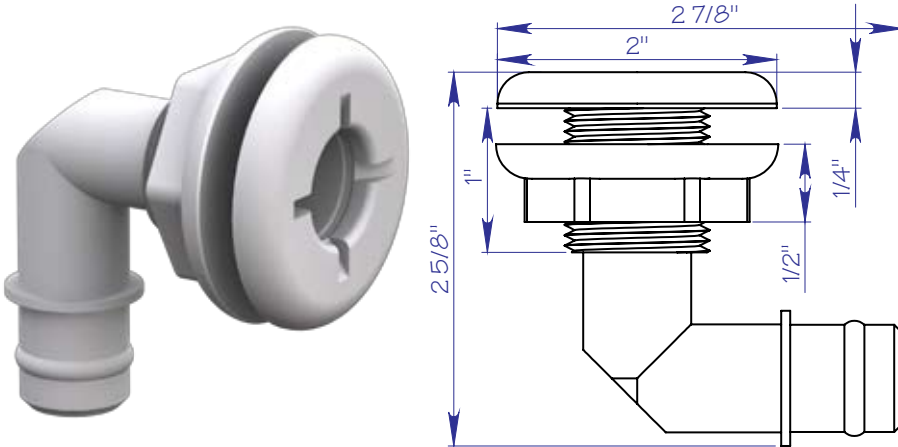


- Requires 1-1/16" mounting hole.
- Compatible with MA-008 Snap-in Strainer



3/4" Fittings - Barbed

MA-027-W Thru-Hull, Elbow with Flange, Barbed, White

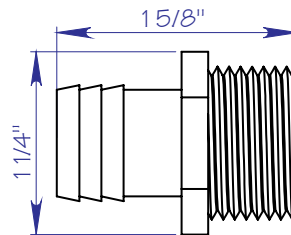


- Requires 1-1/16" mounting hole.
- Compatible with MA-008 Snap-in Strainer



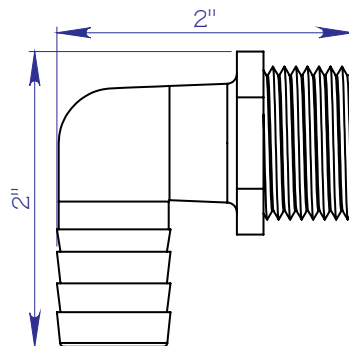
Connectors and Adaptors

MA-041 Adaptor, 3/4" Male Barb X 3/4" Male NPT



- Used on barbed versions of the V5 pump-out valve body for intake from a recirculation pump.

MA-042 Adaptor, 3/4" Male Barb Elbow X 3/4" Male NPT



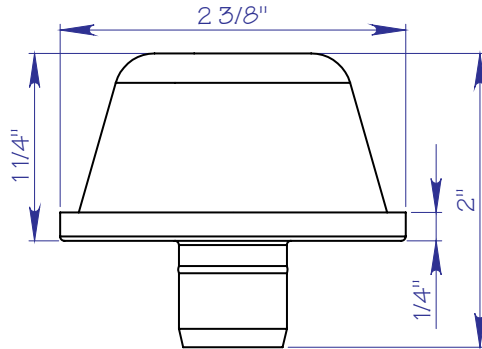
- Used on barbed versions of the V5 pump-out valve body for intake from a recirculation pump.

3/4"

3/4" Fittings

Drain Screens and Plugs

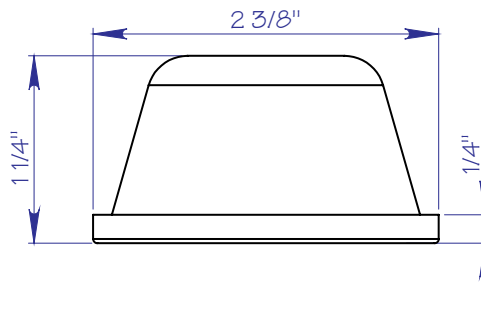
MA-008 Snap-in Strainer, Stainless Steel



- Compatible with MA-027 and MA-011 series fittings.



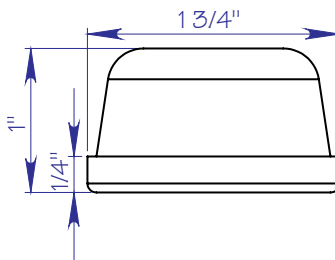
MA-023 Screw-on Strainer, Stainless Steel



- Compatible with MA-007 series fittings.



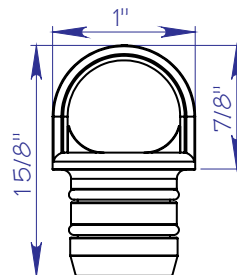
MA-005 Screw-on Strainer, Small, Stainless Steel



- Compatible with MA-007 series fittings.



MA-022 Drain Plug



- Compatible with MA-027 and MA-011 series fittings.



3/4" Fittings

3/4"

Notes:

3/4" FITTINGS

