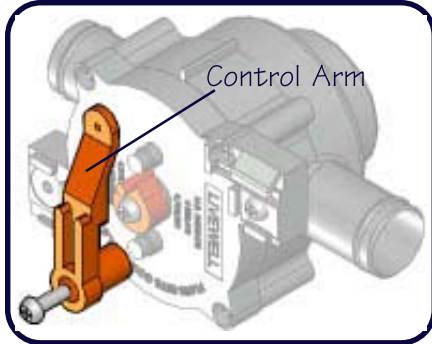


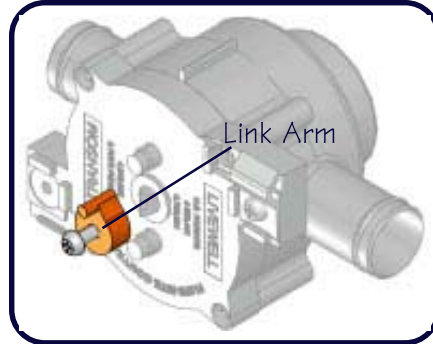
CONVERTING A VALVE FROM A FRONT TO A REAR CABLE APPROACH

The following instructions apply to Flow-Rite systems #2 (2-position automatic), #3 (3-position automatic), #4 (3-position select) and system #5 (Pump-out). System #1 (Remote drain shut-off valve) is non-directional and can be simply turned around, disregarding the "Transom" / "Livewell" nomenclature on the valve cap.



Step 1

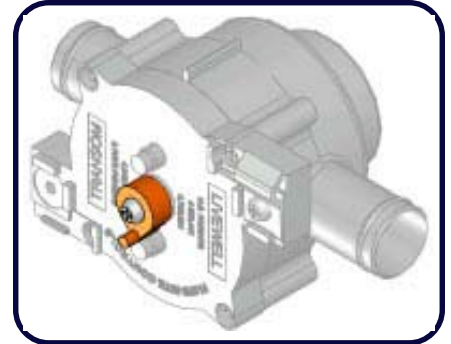
After removing any pump or fitting from the threaded intake port of the valve body, insert finger into threaded port to maintain pressure against rotor assembly while removing control arm and screw.



Step 2

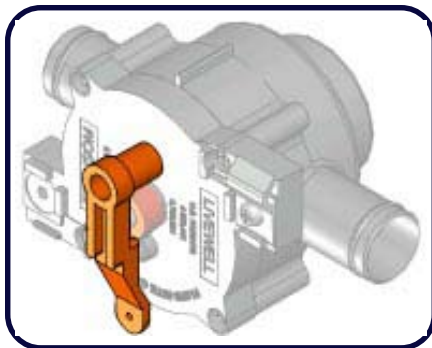
Maintain pressure against rotor assembly while removing link arm and screw.

Note: It is alright for the rotor assembly to rotate slightly until it contacts the stop, but it is very important to prevent it from lifting out of place.



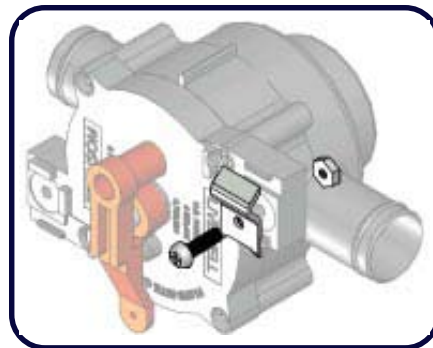
Step 3

While maintaining finger pressure remount link arm 180° from original position as shown; do not over tighten.



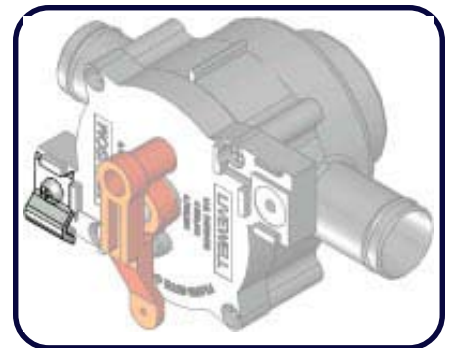
Step 4

Continue to maintain pressure and mount control arm 180° from original position as shown. Again, be careful not to over tighten the mounting screw.



Step 5

Remove the cable mounting clip, bolt and nut as shown.



Step 6

Replace the cable mounting clip, bolt and nut to the opposite end as shown.



Flow-Rite Controls, Ltd. ~ 960 74th St. ~ Byron Center, MI 49315
Phone: 616-583-1700 ~ Fax: 616-878-5151 ~ www.flow-rite.com