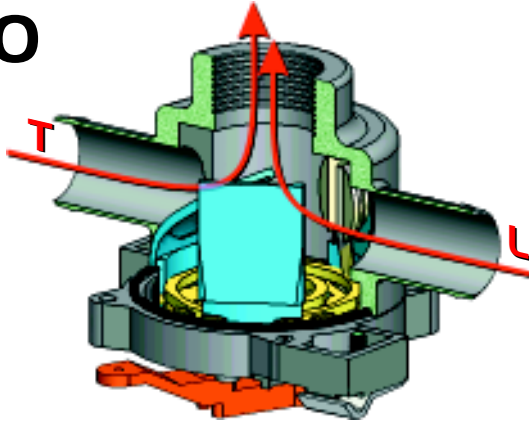
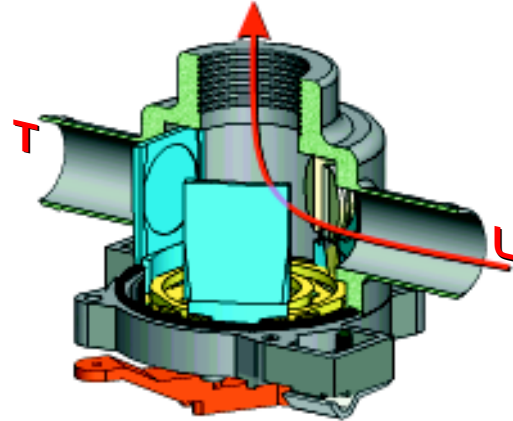


# 3-POSITION AUTOMATIC VALVE OPERATION

## AUTO

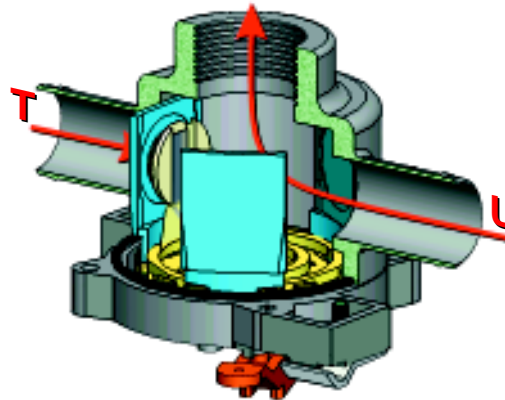


Off-Plane



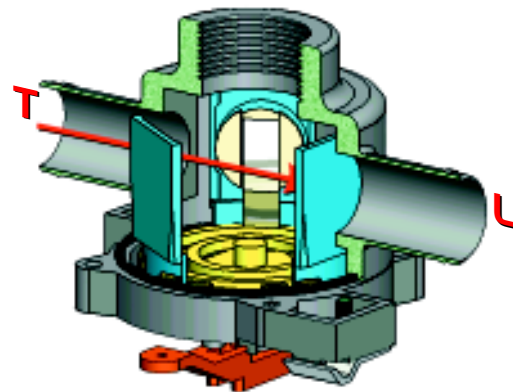
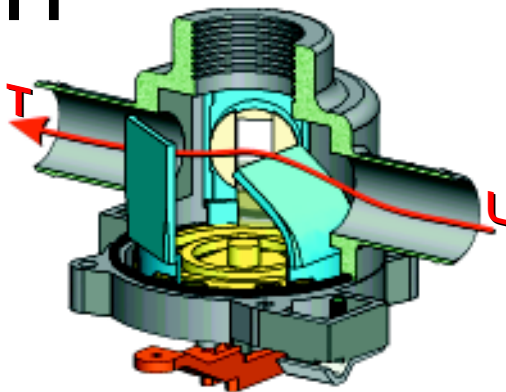
On-Plane

## RECIRC



On/Off-Plane

## EMPTY



On/Off-Plane