

# Eagle Eye Essential IV

## DATA SHEET



### FEATURES:

Simple In-Valve Level Sensor  
 Bright Green LED Indicator  
 Low Current Draw  
 24" Ground Wire



### APPLICATIONS:

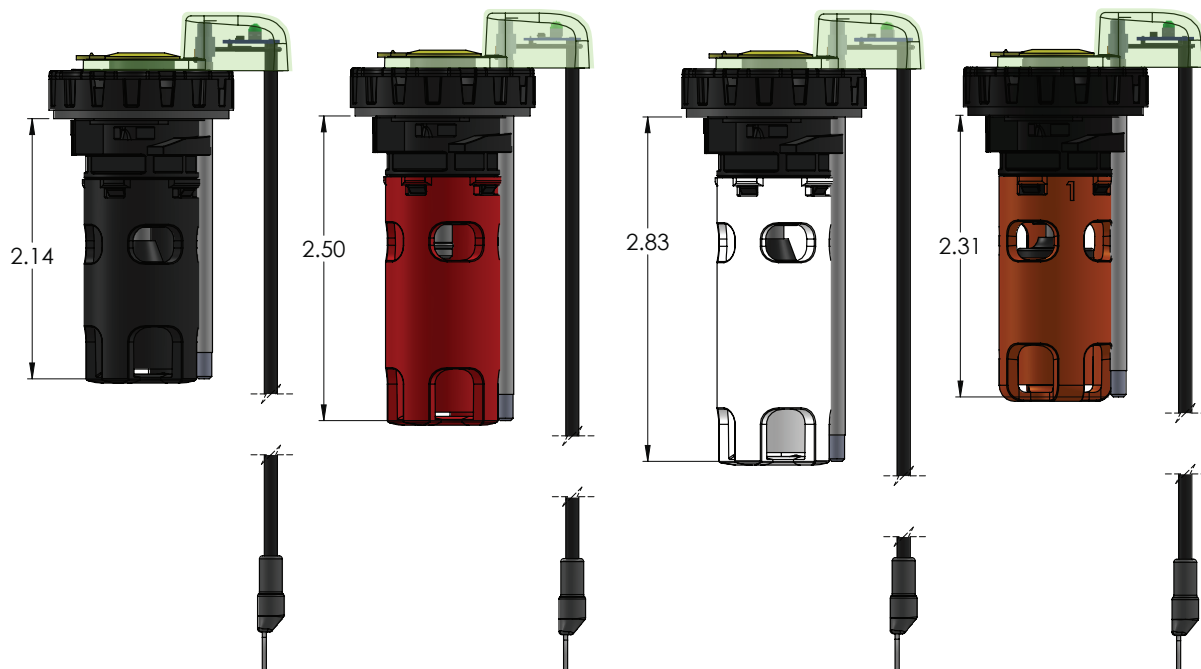
For use with Lead Acid  
 Batteries in Industrial  
 Applications.



## RATINGS & CHARACTERISTICS

Parameter	MIN.	TYP.	MAX.	UNITS	Notes
Operating Voltage	4.0V	-	12.0V	V DC	@77°F (25°C)
Current Draw	-	15mA	15mA	mA	@77°F (25°C)
Reverse Voltage Protection	5.0V	5.0V	5.0V	V DC	@77°F (25°C)
ESD (HBM)	-	-	4KV	V DC	-
Operating Temperature	-40°F (-40°C)	-	+185°F (+85°C)	°F/°C	
Storage Temperature	-40°F (-40°C)	-	+212°F (+100°C)	°F/°C	
LED Color	519nm	526nm	549nm	nm	-

## DIAGRAM (Shown with Valve)



Optical Power VS. Supply Voltage (0V to 12V)

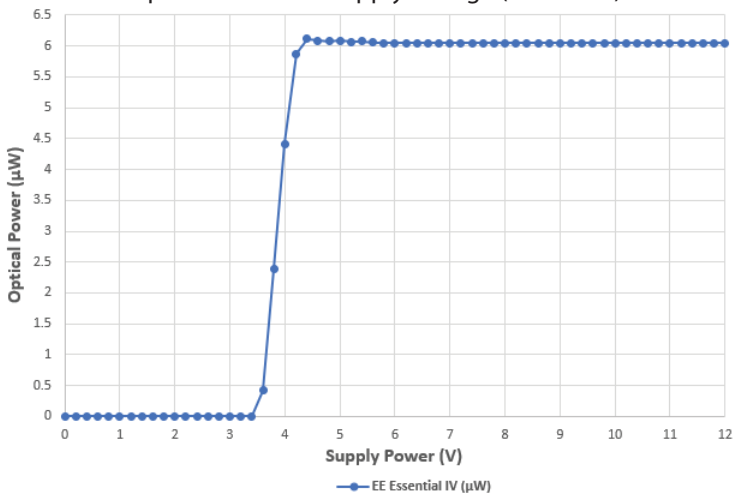


Figure 1 - LED Intensity VS. Supply Voltage

Spectral Data

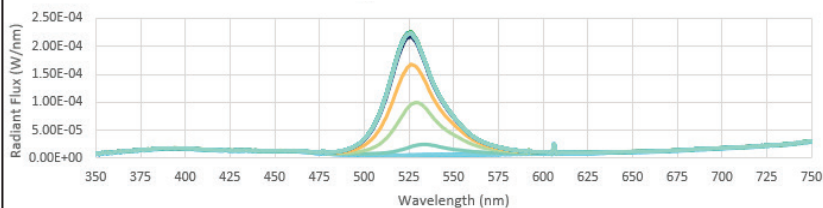


Figure 2 - LED Color over Operating Voltage

Horizontal Axis Scan Lines with Power Meter (Power VS. Angle)

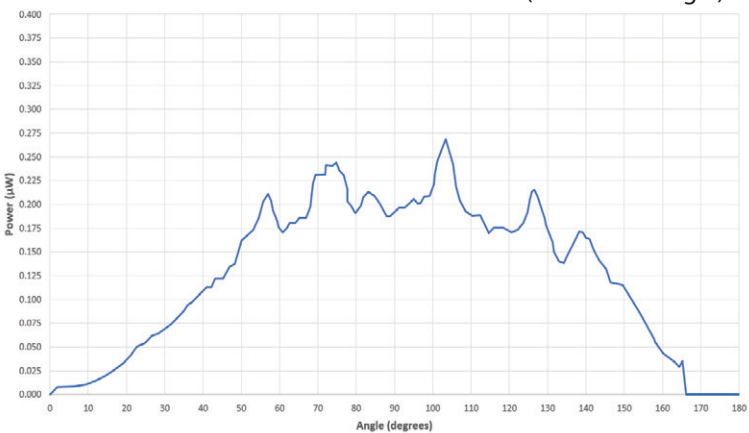


Figure 3 - LED Intensity VS. Horizontal Axis Viewing Angle

Horizontal Axis Scan Lines with Power Meter (Power VS. Angle)

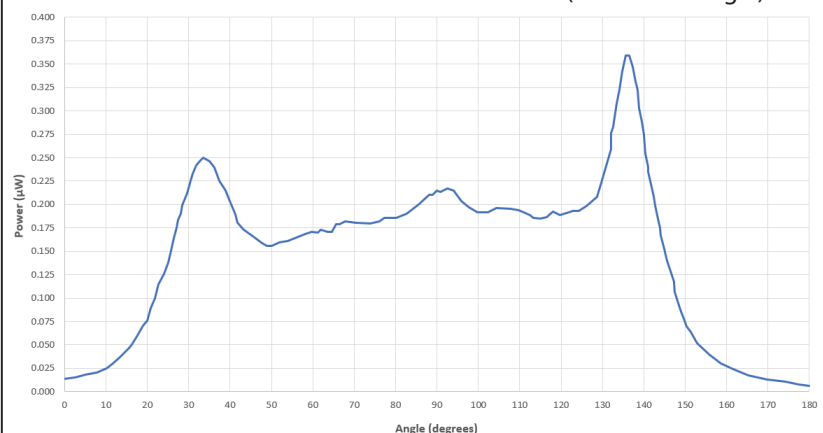


Figure 4 - LED Intensity VS. Vertical Axis Viewing Angle

## PART NUMBER & ORDERING INFORMATION

New BK Kits	Description
BK-1C0-230-512	Black Eagle Eye IV 12 Cell
BK-1C0-230-518	Black Eagle Eye IV 18 Cell
BK-1C0-230-524	Black Eagle Eye IV 24 Cell
BK-1C0-230-540	Black Eagle Eye IV 40 Cell
BK-1G0-V30-512	Maverick Eagle Eye IV 12 Cell
BK-1G0-V30-518	Maverick Eagle Eye IV 18 Cell
BK-1G0-V30-524	Maverick Eagle Eye IV 24 Cell
BK-1C0-330-512	Red Eagle Eye IV 12 Cell
BK-1C0-330-518	Red Eagle Eye IV 18 Cell
BK-1C0-330-524	Red Eagle Eye IV 24 Cell
BK-1C0-330-540	Red Eagle Eye IV 40 Cell

Standalone Product	Description
EA-040	Black, Eagle Eye Essential IV BBC (Bayonet/Cast On)
EA-041	Red, Eagle Eye Essential IV BRC (Bayonet/Cast On)
EA-042	White, Eagle Eye Essential IV BWC (Bayonet/Cast On)
EA-043	Orange, Eagle Eye Essential IV BOC (Bayonet/Cast On)
EA-048	Maverick, Eagle Eye Essential IV BMC (Bayonet/Cast On)



### SPECIAL NOTES:

Brightness tested at LumenFlow, Zeeland, MI



Ph: 616-583-1700  
www.flow-rite.com

Flow-Rite Controls  
960 74th Street S.W.  
Byron Center, MI 49315



MM-DS-001-040722