

MARINE APPLICATIONS:

Livewells Bilge Plumbing
 Baitwells Grey Water
 Ballast Bags Deck Drainage



SPECIFICATIONS

	3/4" Fittings (1.91cm)	1 1/8" Fittings (2.86cm)	1.5" Fittings (3.81cm)
Maximum Pressure	30 psi	30 psi	50 psi
Tensile (Pull) Strength	50 lbs	50 lbs	75 lbs
Max Temperature	140° F	140° F	140° F
Min Temperature	-22° F	-22° F	-22° F

CHEMICAL RESISTANCE

	3/4" Fittings (1.91cm)	1 1/8" Fittings (2.86cm)	1.5" Fittings (3.81cm)
Fresh Water	Yes	Yes	Yes
Salt Water	Yes	Yes	Yes
Motor Oil/Water Mixture	Yes	Yes	Yes
Diesel Fuel/Water Mixture	Yes	Yes	Yes
Hydraulic Oil/Water Mixture	Yes	Yes	Yes
Sodium Hypochlorite (Bleach)	Yes	Yes	Yes

FEATURES AND BENEFITS

Eliminates Clogs & Backups

Designed with non-clogging passageways and restriction-less connections to ensure optimal performance.

Increased Durability & Lifespan

Made with hydrophobic materials which are non-water-absorbent by design to lengthen the life of every part and keep replacement costs at a minimum.

Faster Install, Reduced Labor

All hoses are pre-cut to spec, clearly labeled, and the clamps come pre-installed to ensure quicker build times and lower labor costs.

One Kit, One Boat

We've simplified the supply chain by reducing the SKU's you'll need for each boat built.
 Guaranteed to Seal

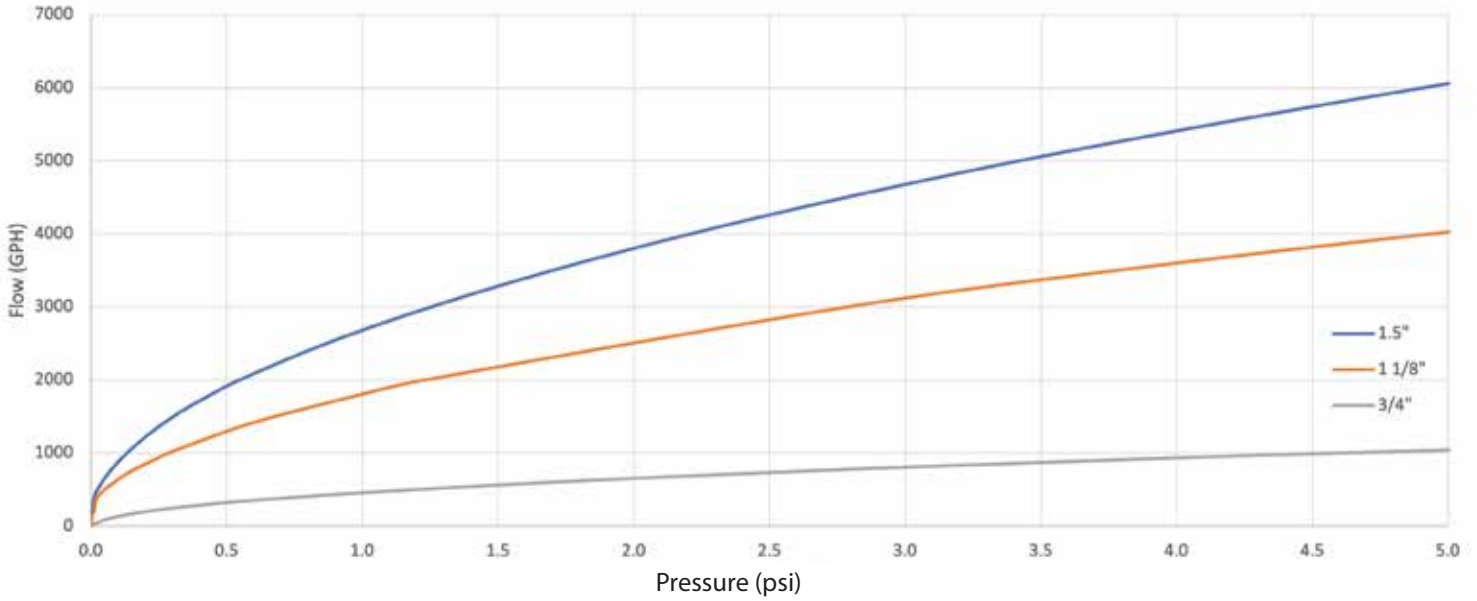
Guaranteed to Seal

Engineered to ensure a tight seal the first time, every time.

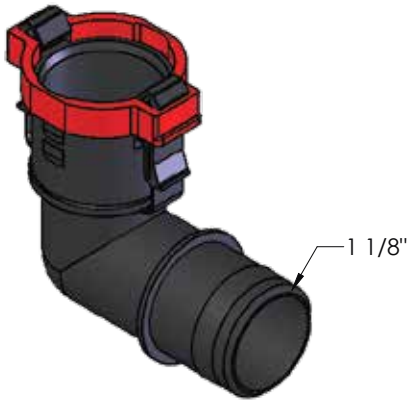
No-Leak Swivel Joint

Provides ability to rotate hose without creating leaks – ideal for any orientation.

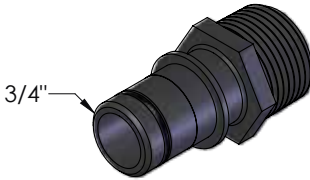
Qwik Lok Fitting Flow vs. Pressure



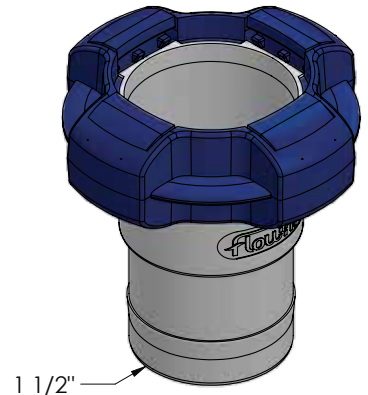
DIAGRAMS (shown at 1:1 scale)



1 1/8" Female Elbow (MA-049 shown)



3/4" x 3/4" NPT Adapter (MA-029 shown)



1 1/2" Female Straight (MA-150 shown)



3/4" Drain Fitting Elbow (MA-187-QLB shown)



Drain Fitting (MA-043-QLB shown)

Disclaimer: 2022 Flow-Rite Controls. All rights reserved. Flow-Rite is not liable for damages that may result from any information provided in or omitted from this document, under any circumstances. Flow-Rite Controls reserves the right to make modifications to this document at any time, without notice or obligation.



Ph: 616-583-1700
www.flow-rite.com

Flow-Rite Controls
960 74th Street S.W.
Byron Center, MI 49315



MM-DS-002-050122