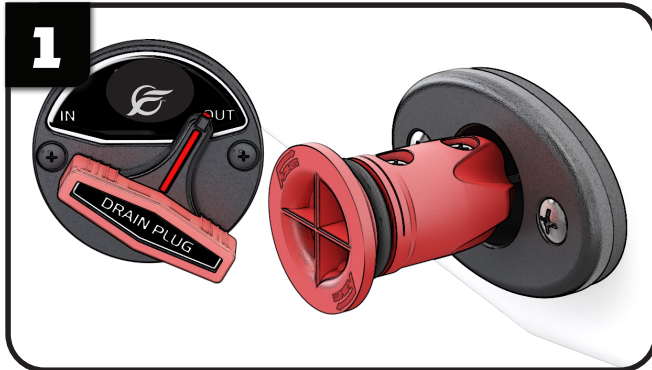
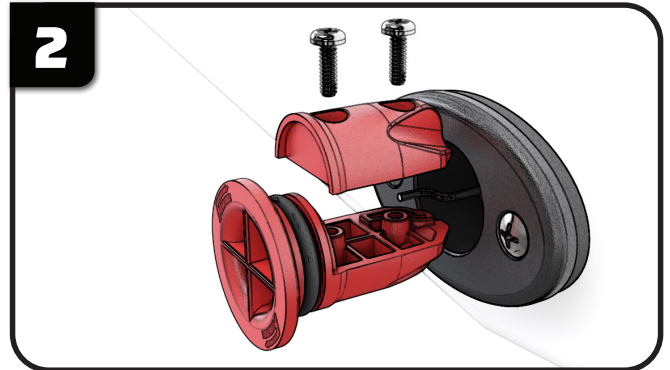


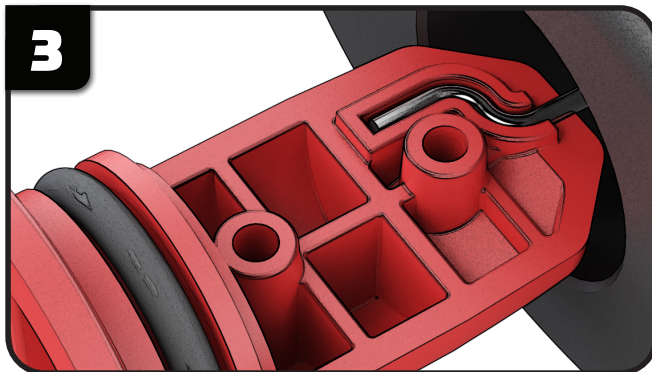
# Remote Drain Plug - MA-RDP-500 Service Pack Instructions



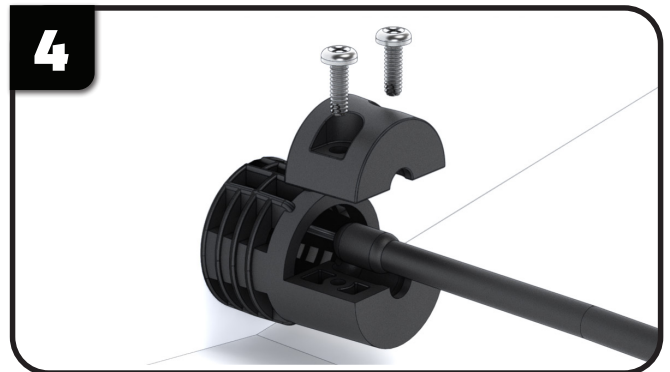
**Step 1** Move the remote drain plug actuator to the “out” position. The plug should have sufficient extension to be able to remove the plug screws and plug. If additional length is needed, it may require removing the black drain housing cap for further cable extension (inside the bilge area, see Step 4 image).



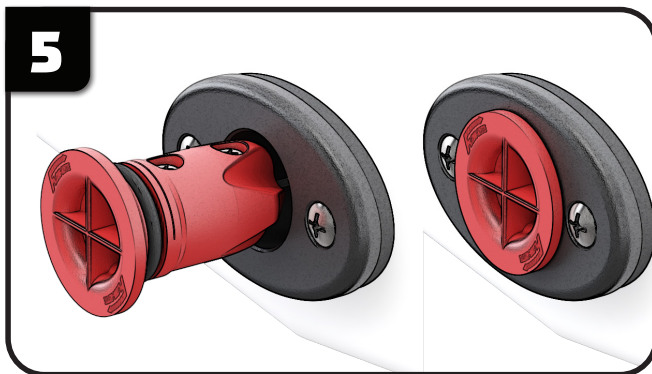
**Step 2** Disassemble the red plug assembly by removing the (2) plug cap screws installed, pull off the cap, and remove the plug. Discard the old plug.



**Step 3** Take the new plug assembly and carefully lay the “Z” bend of the control cable into the “Z” groove molded in the replacement plug body as shown. Install and secure the plug cap with the (2) screws supplied (do not over tighten) (see Step 2 image). Assure that screws are tight and there is no “slip” between the plug and the plug cap.



**Step 4** If the drain housing cap was removed, re-position the enlarged nub area of the control cable jacket into the drain housing body as shown. Re-install the drain housing cap with the (2) screws that were removed (do not over tighten). Assure the screws are tight and there is no “slip” between the drain housing and drain housing cap.



**Step 5**  
Test the drain plug function several times on land by moving the actuator to the “IN” and “OUT” to confirm the proper seating of the drain plug prior to launching the boat.