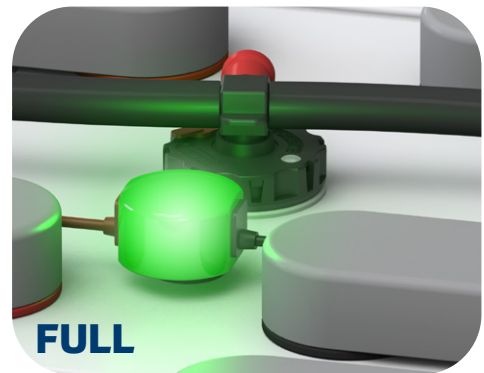


Eagle Eye Essential+ (Drill-In) Electrolyte Level Sensors



Eagle Eye™

Eagle Eye Essential+ accurately monitors and displays the status of cell electrolyte levels with a solid green or blinking red light.



- Reverse polarity protected
- Bright light easily seen from a distance
- Sealed lens protects the LED and electronics from impacts and acid migration
- Probe may be trimmed to size

- 100% functionally tested
- 1 Year Warranty
- 3 Self resetting fuses

SPECIFICATIONS

- Temperature range: 0°- 150° F
- Voltage: 12 VDC
- Current draw: <20mA
- Red power wire length: 26"
- Black power wire length: 6"
- LED wire length: 77" (if remote)



LOCAL

REMOTE

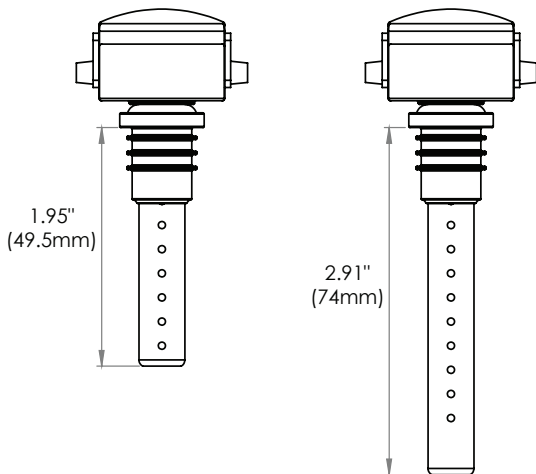
EAGLE EYE - DRILL IN - LOCAL	
Probe Length	Part Number
1.93"/49mm	BA-491
3.03"/77mm	BA-492

EAGLE EYE - DRILL IN - REMOTE	
Probe Length	Part Number
1.93"/49mm	BA-494
3.03"/77mm	BA-490



STANDARD LENGTH

EXTENDED LENGTH



Distributed by:



960 74th Street SW
Byron Center, MI 49315
616.583.1700
flow-rite.com



MM-023 0723