

# Handy Pump Operating Instructions

BA-MS-630, BA-MS-634

**Important:** Batteries may only be filled *after* charging.

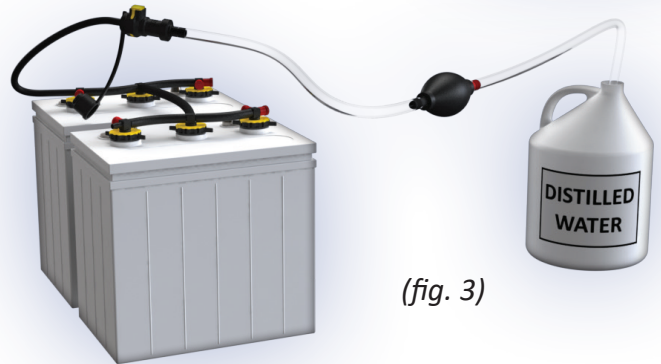
1. Insert the Handy Pump into a jug of distilled water. (fig. 1)
2. Prime the bulb by squeezing until filled with water.
3. Once the bulb is primed, remove the dust cover from the battery watering system and mate the couplers. (fig. 2)
4. Squeeze the bulb with firm pressure to pump water into the battery cells. When the bulb becomes firm, all cells are full. (fig. 3)
5. Immediately disconnect the couplers and replace the dust cover.



(fig. 1)



(fig. 2)



(fig. 3)

**FLOW-RITE**®

BL-200  
09/17

# Handy Pump Operating Instructions

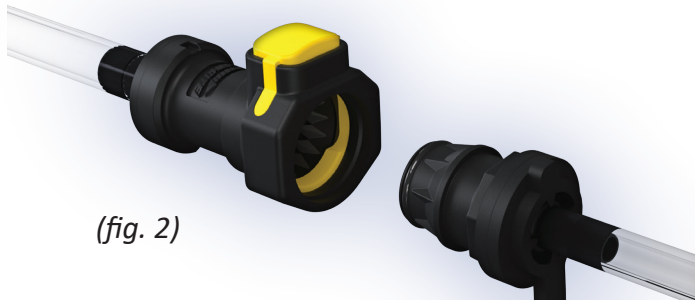
BA-MS-630, BA-MS-634

**Important:** Batteries may only be filled *after* charging.

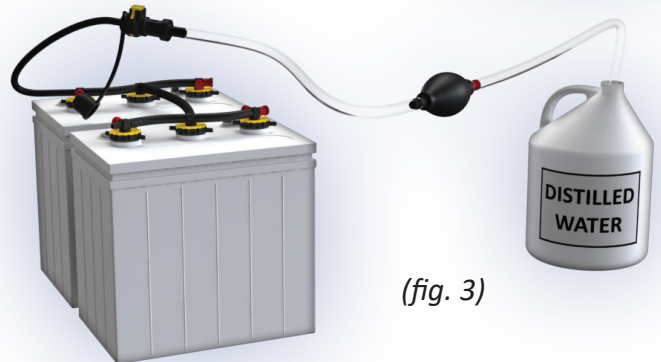
1. Insert the Handy Pump into a jug of distilled water. (fig. 1)
2. Prime the bulb by squeezing until filled with water.
3. Once the bulb is primed, remove the dust cover from the battery watering system and mate the couplers. (fig. 2)
4. Squeeze the bulb with firm pressure to pump water into the battery cells. When the bulb becomes firm, all cells are full. (fig. 3)
5. Immediately disconnect the couplers and replace the dust cover.



(fig. 1)



(fig. 2)



(fig. 3)

**FLOW-RITE**®

BL-200  
09/17