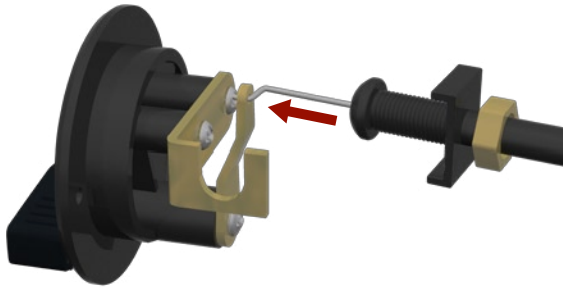
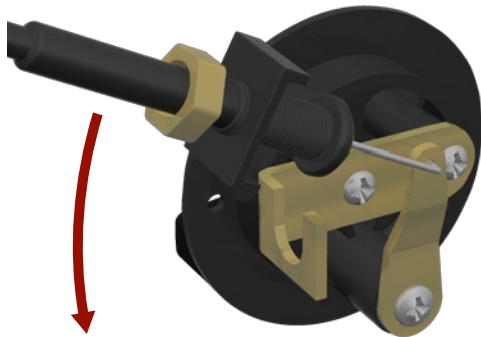


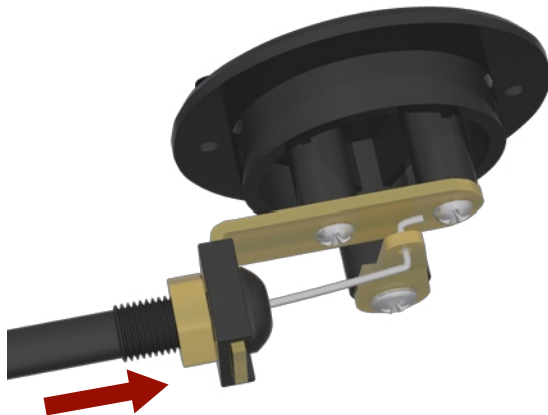
# Cable to Actuator Installation



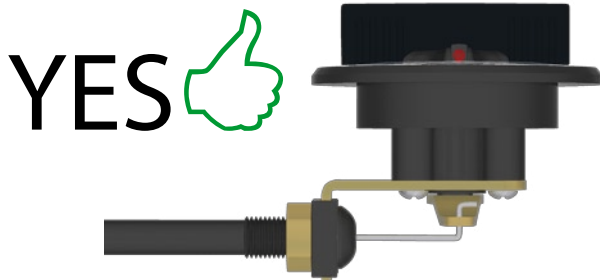
**1** Insert cable into actuator from the backside of the actuator.



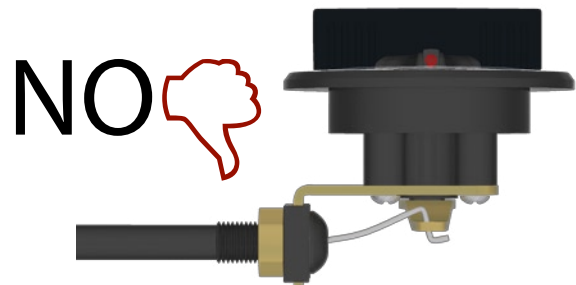
**2** Rotate cable into position and lower cable into bracket.



**3** Slide retainer clip forward over bracket and tighten nut.



Cable should be installed as shown for proper operation.



Improper cable installation will prevent the valve from operating correctly.