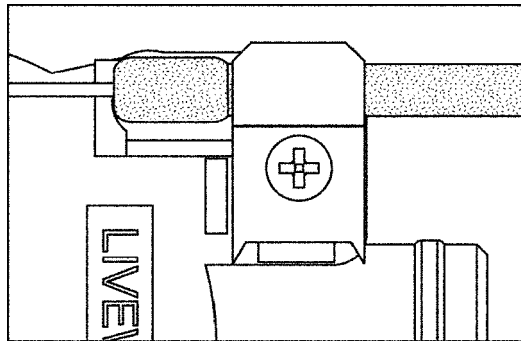
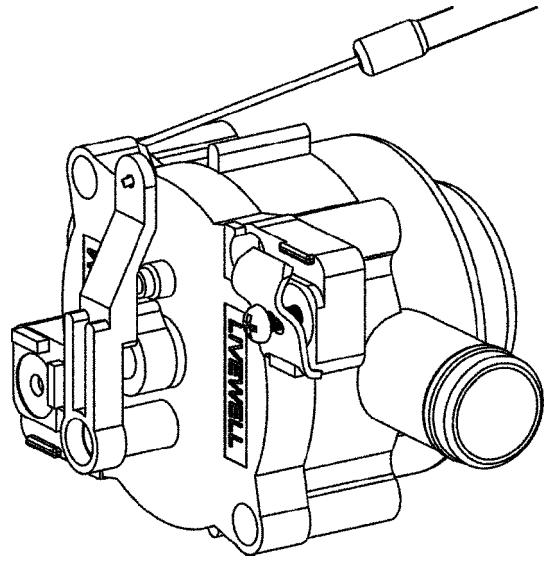


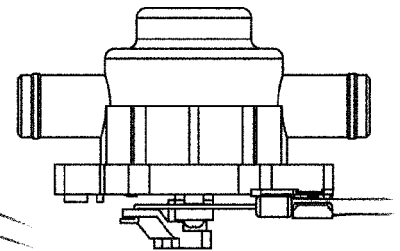
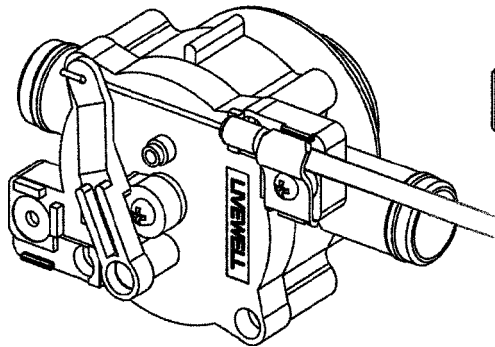
Proper Cable to Valve Attachment

It is very important that the cable is inserted into the arm from the "back" side as shown. Gently work the cable into position being careful not to bend the wire.



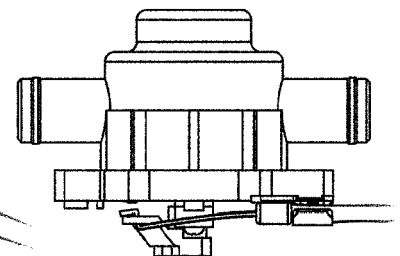
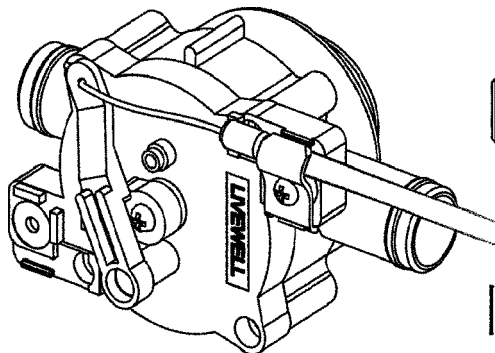
Once the cable is in position, the mounting clamp should be located directly behind the nub. Be sure that the clamp is snug but not so much that the cable is crushed, preventing smooth operation.

Proper orientation of the cable to the valve provides a smooth and full cable throw



Correct

Improper cable connection will result in a damaged cable, inadequate cable throw and stiff operation.



Incorrect