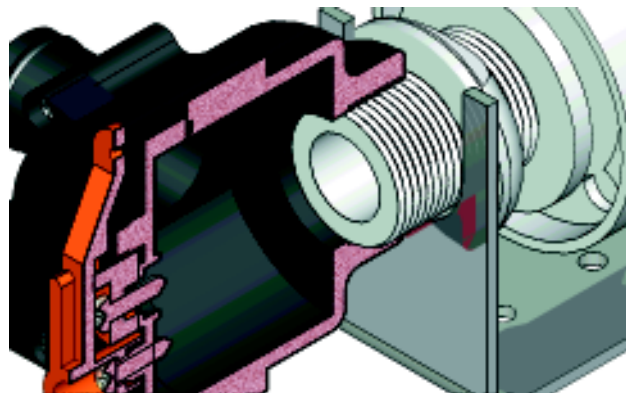
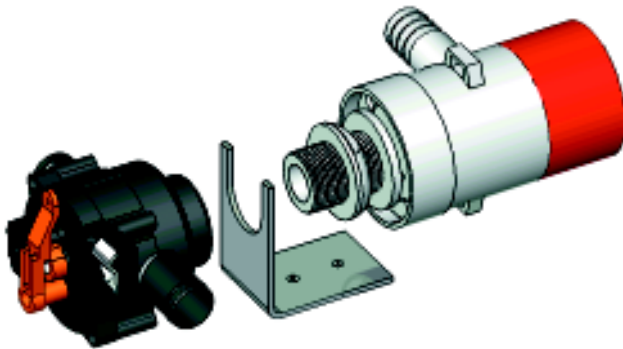
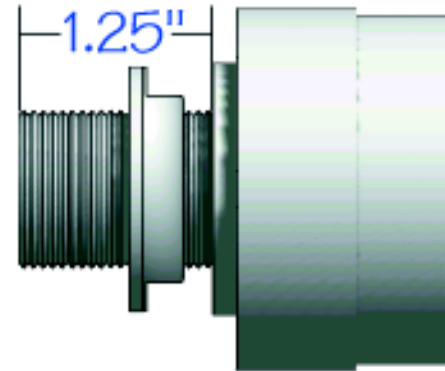
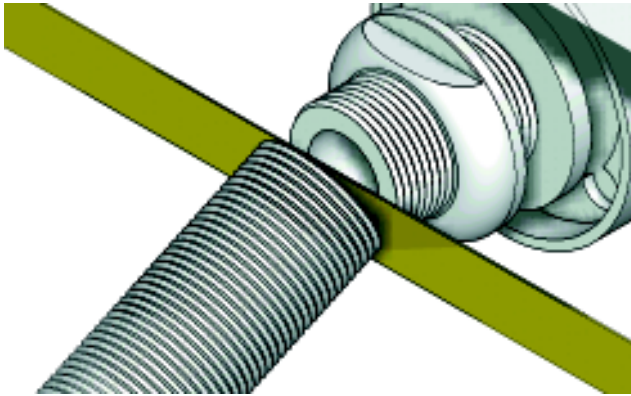


# PUMP/VALVE ATTACHMENT



Flow-Rite Controls, Ltd. ~ 3412 Lousma Dr. S.E. ~ Grands Rapids, MI 49548  
Phone: (616) 243-2750 ~ Fax: (616) 243-5151 ~ Website: [www.flow-rite.com](http://www.flow-rite.com)