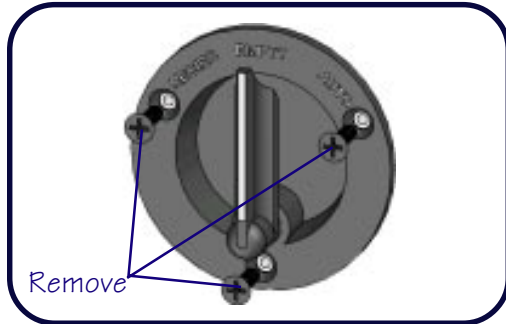
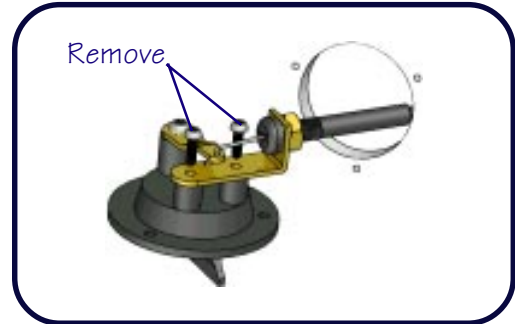


ROTARY ACTUATOR UPGRADE INSTRUCTIONS

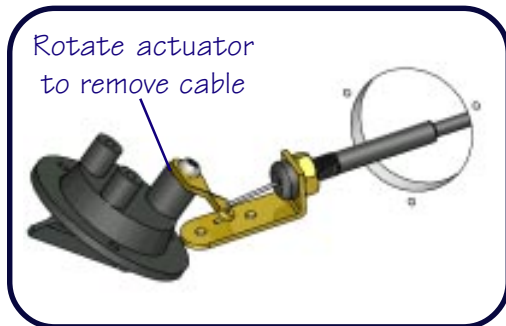
For replacing standard actuator with premium actuator



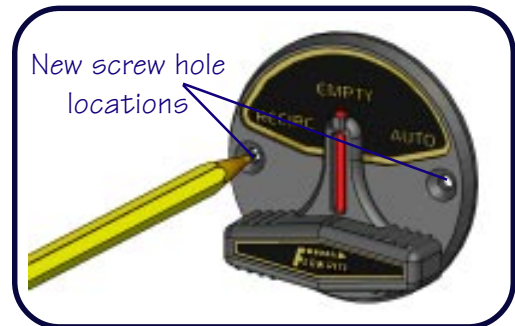
Step 1.
Remove the three screws located on the faceplate.



Step 2.
Carefully guide actuator away from hole enough to locate and remove two screws from bracket.



Step 3.
Rotate actuator as shown to remove cable from actuator. Reverse steps 2 & 3 to install new actuator.



Step 4.
Position new actuator in hole and mark the locations for the new screw holes. Drill 1/16" pilot holes.



Step 5.
Install with #6 black round head screws.



Flow-Rite Controls, Ltd.

3412 Lousma Dr. S.E. ~ Grand Rapids, MI 49548 Phone: (616) 243-2750 Fax: (616) 243-5151